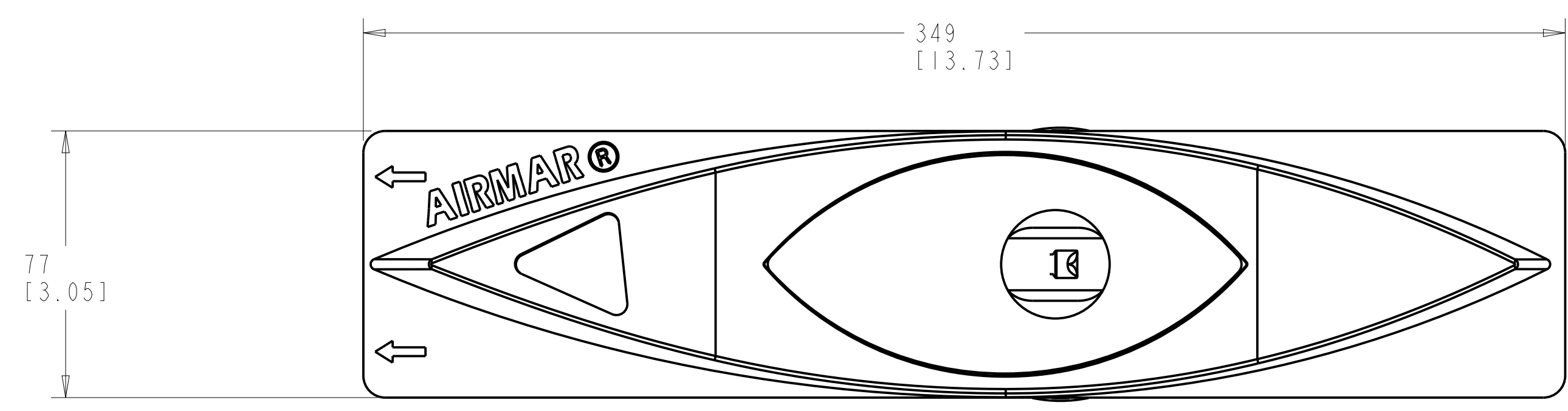
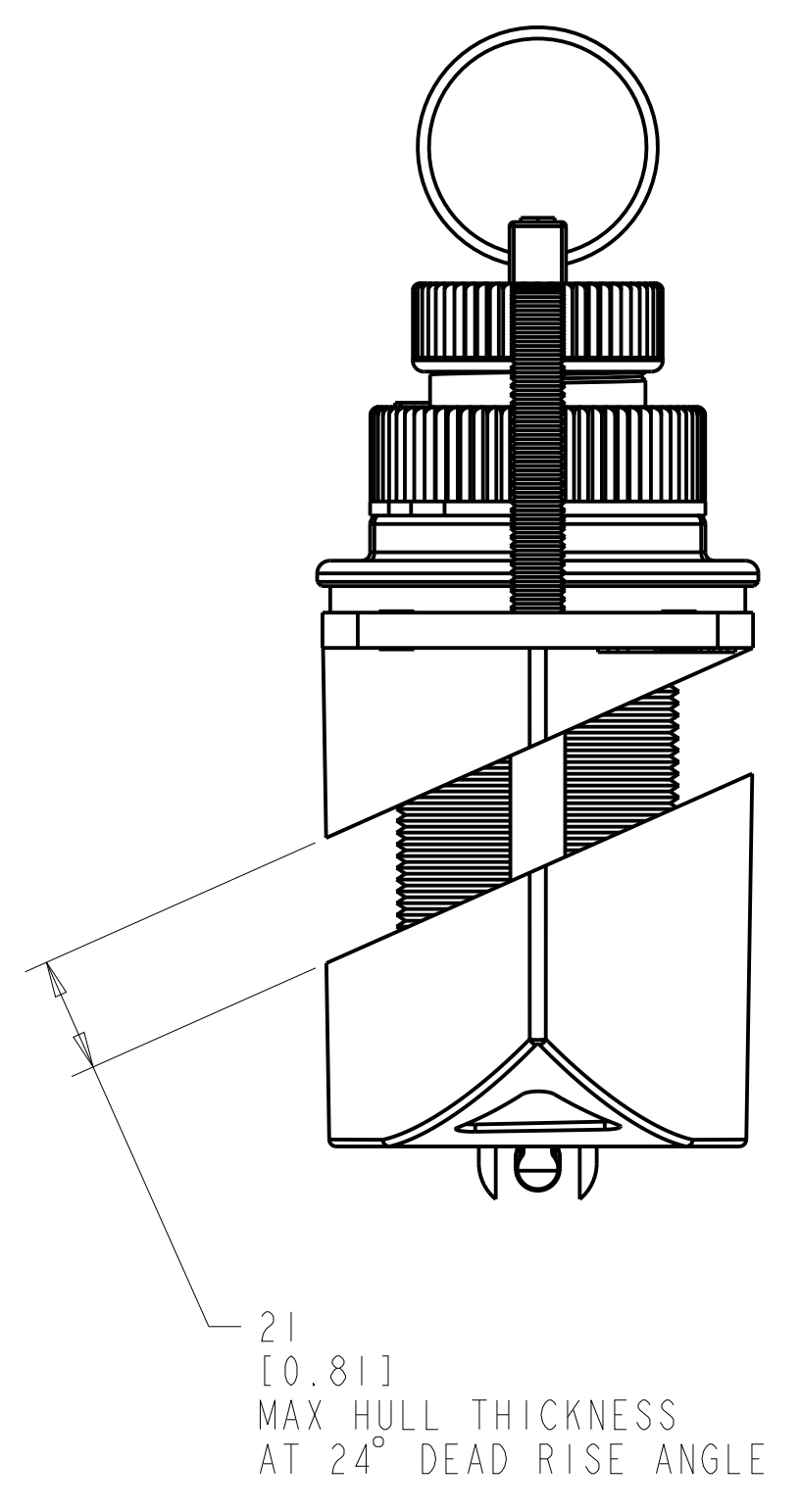
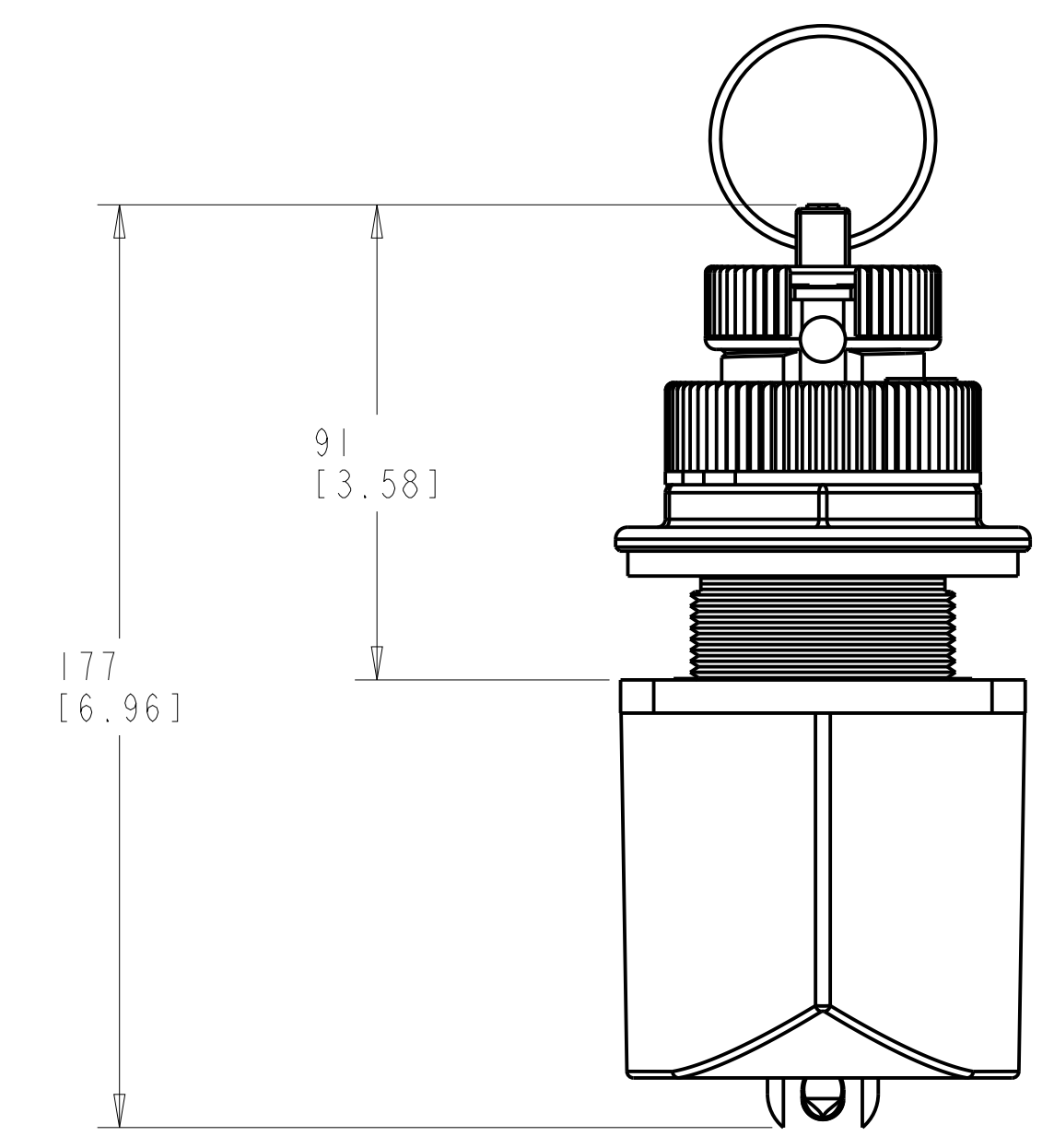
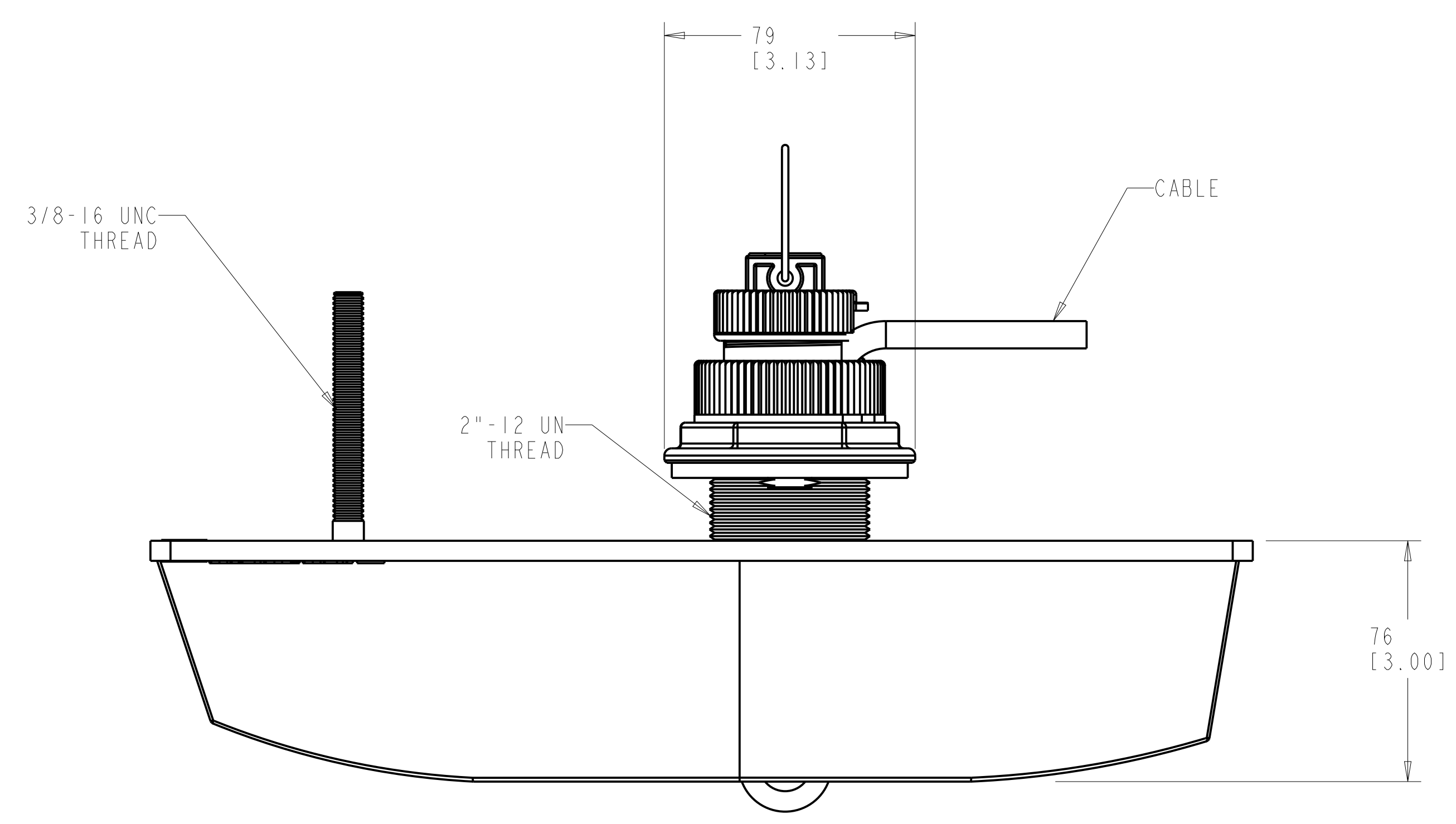
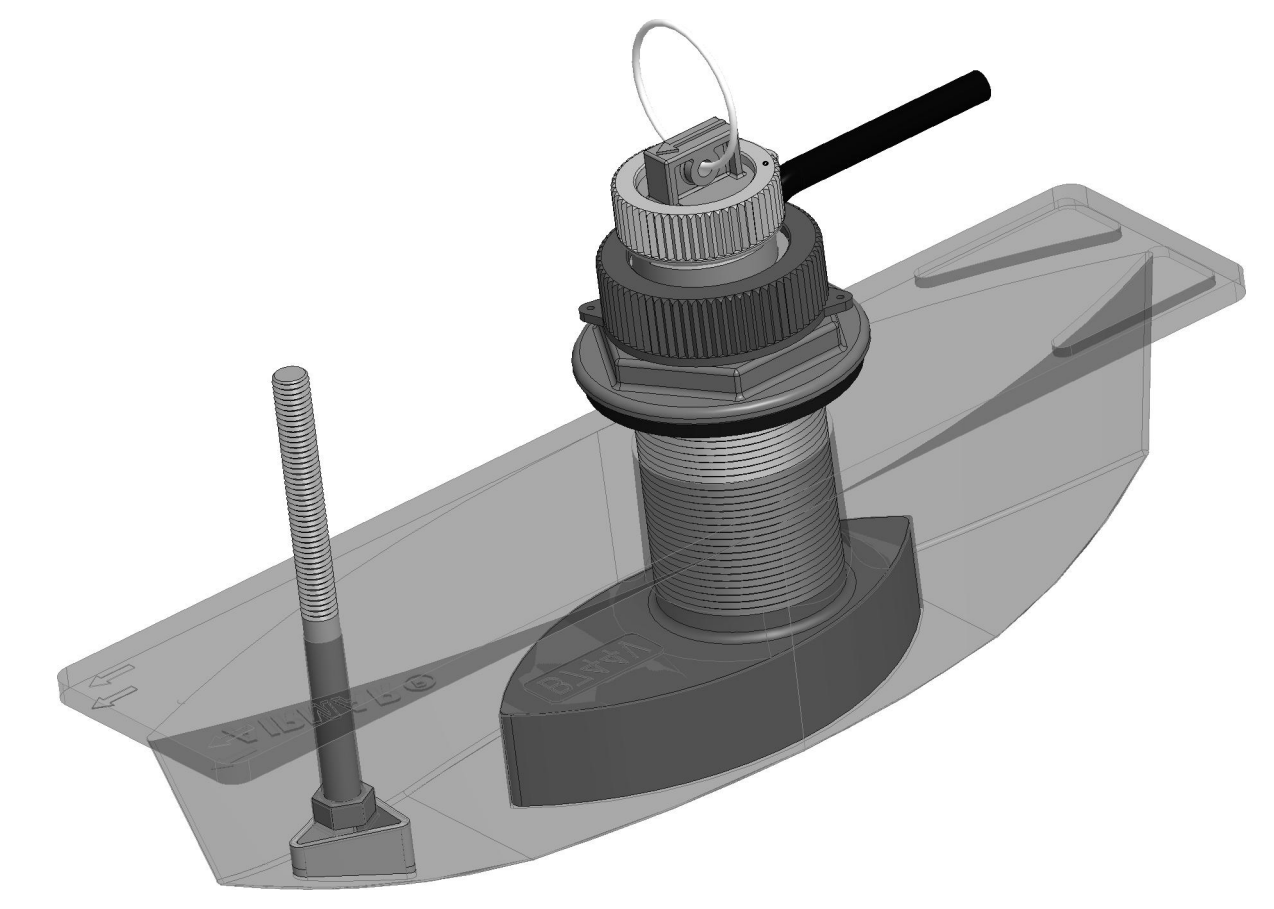
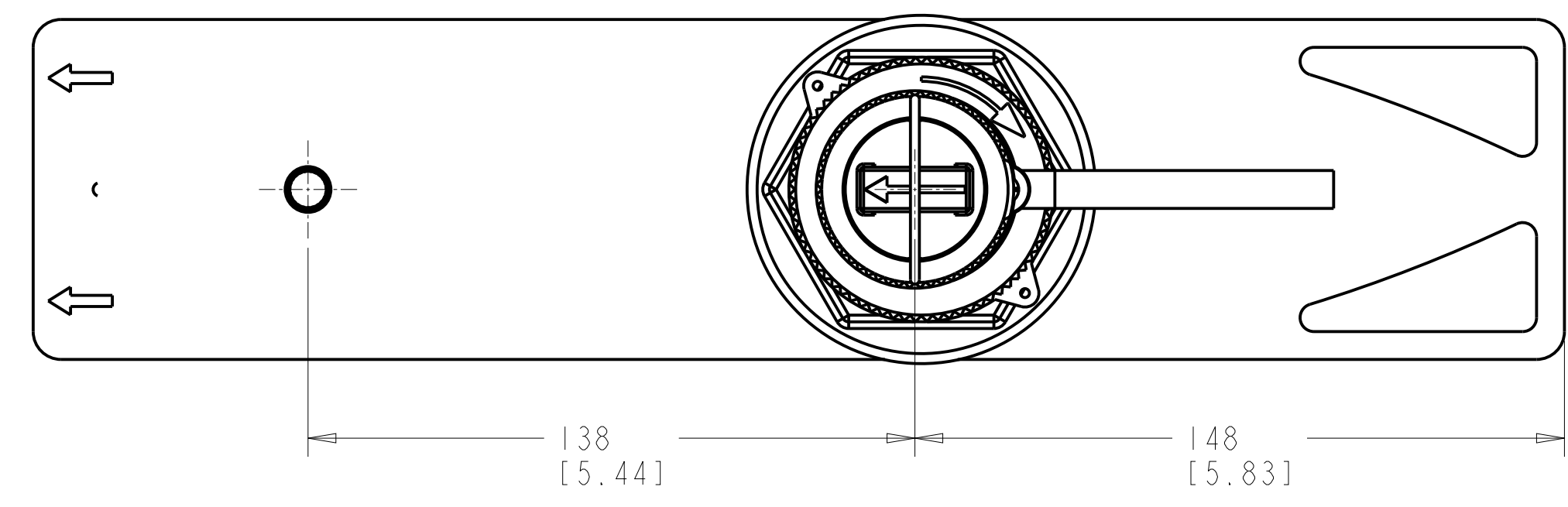
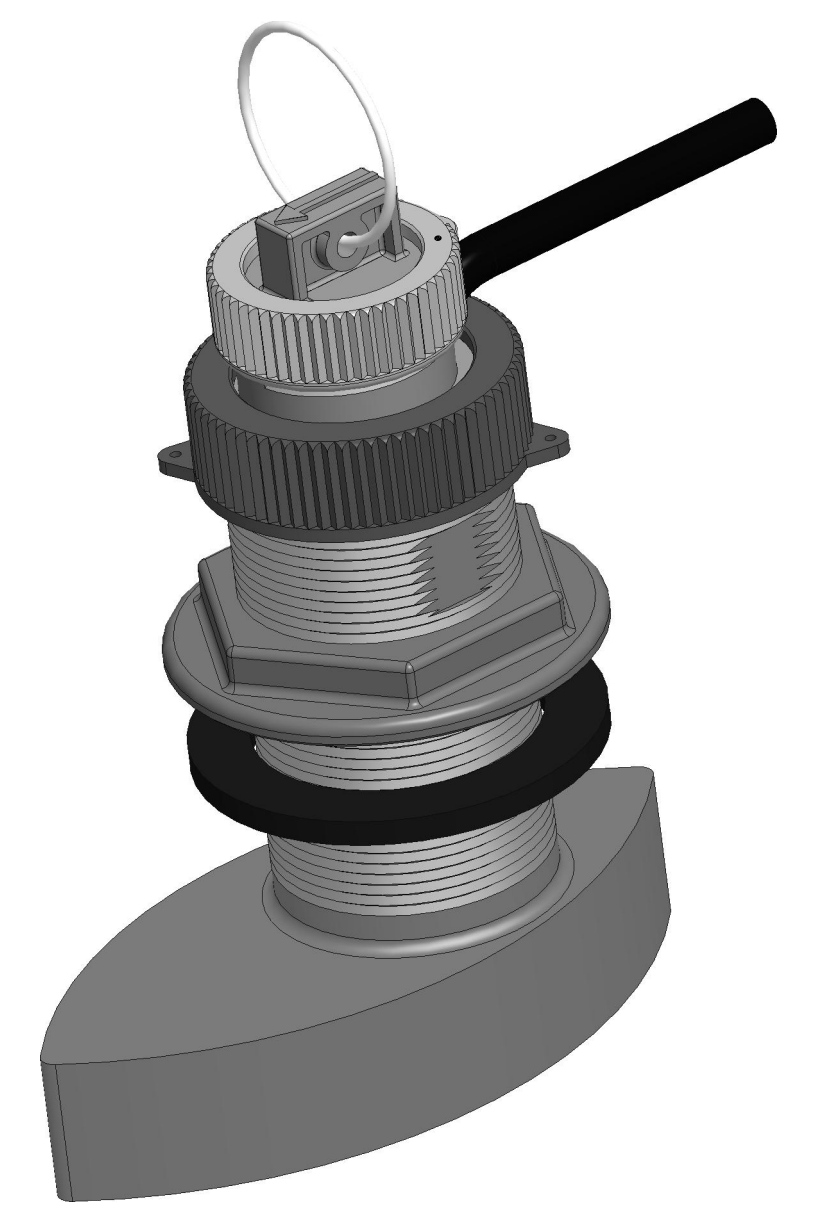
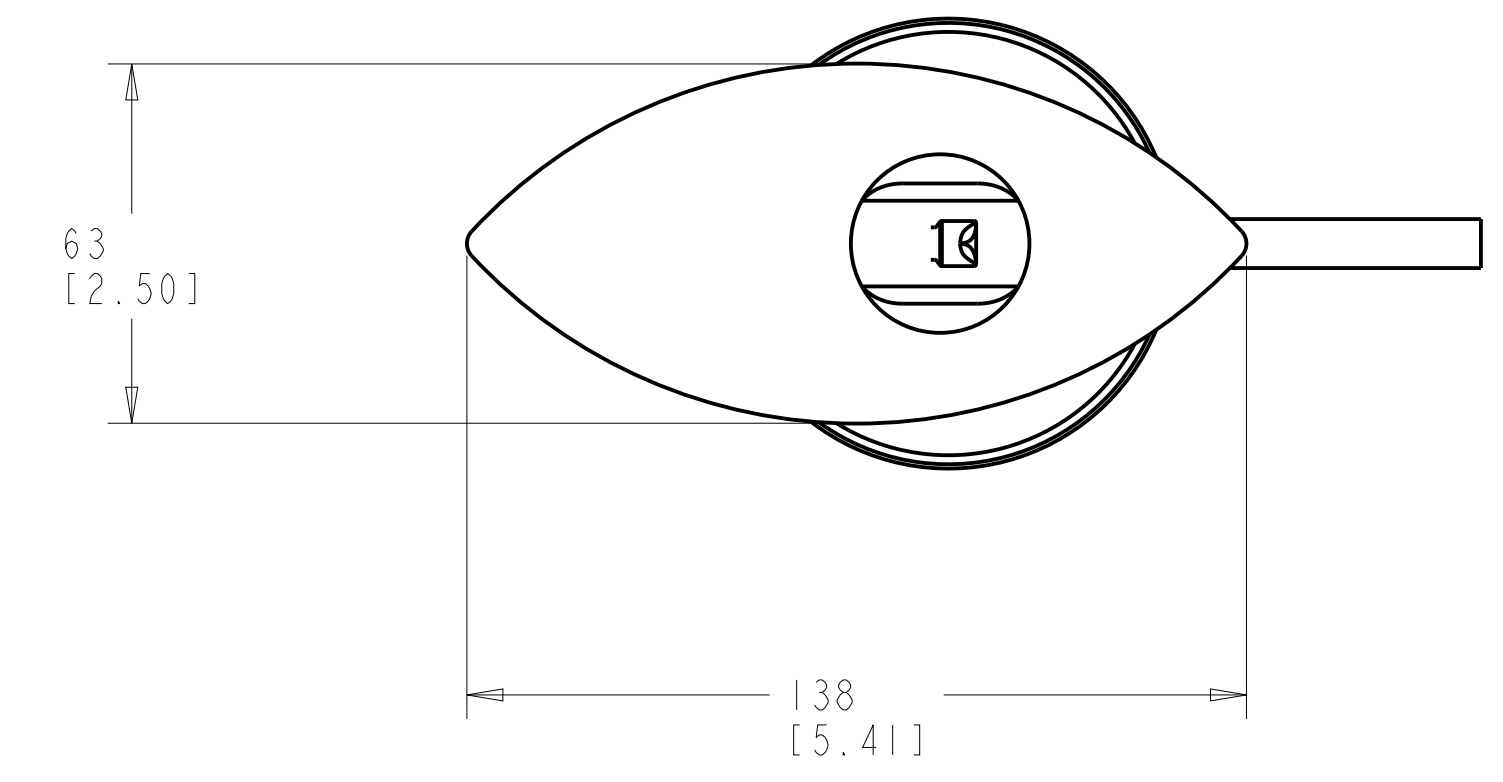
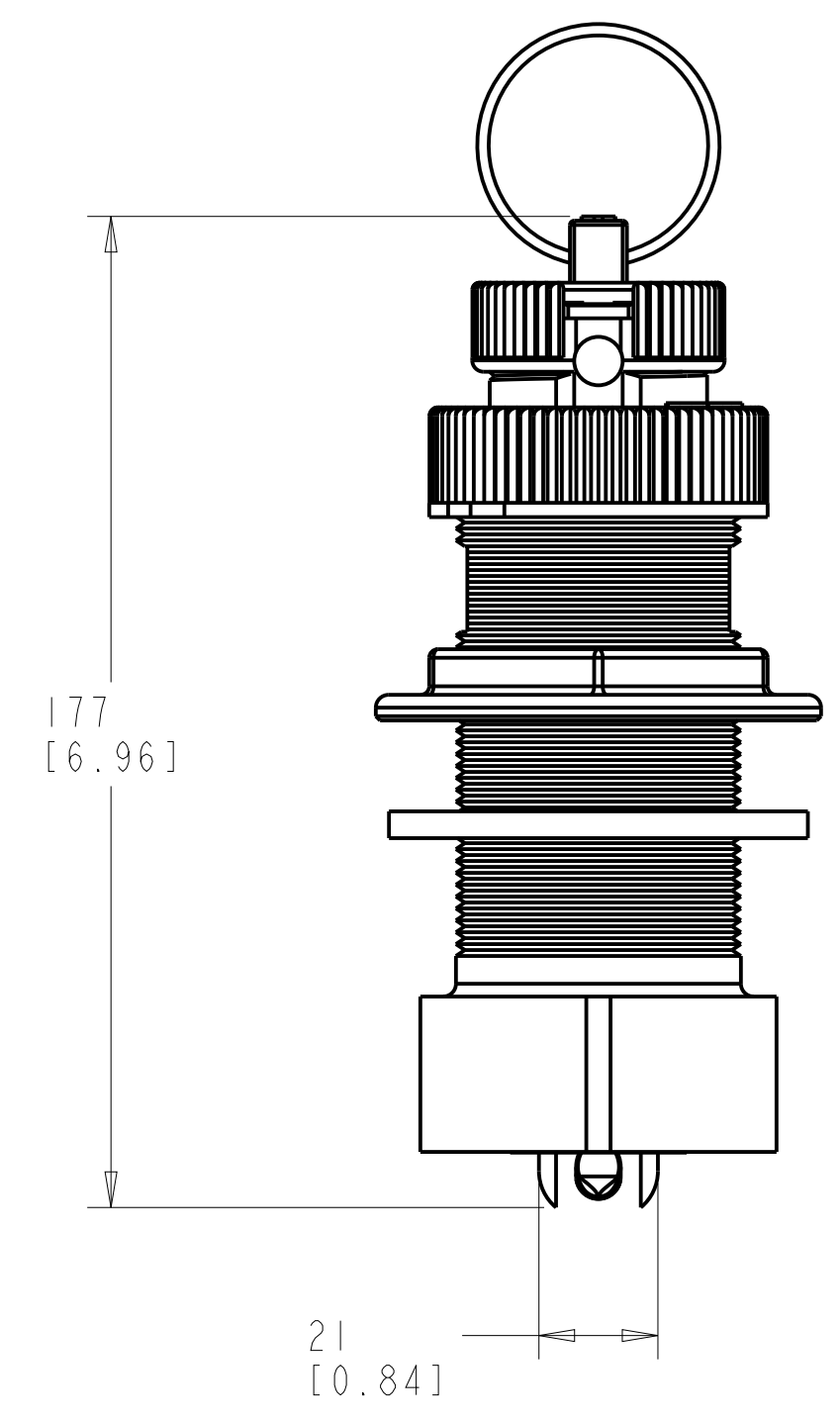
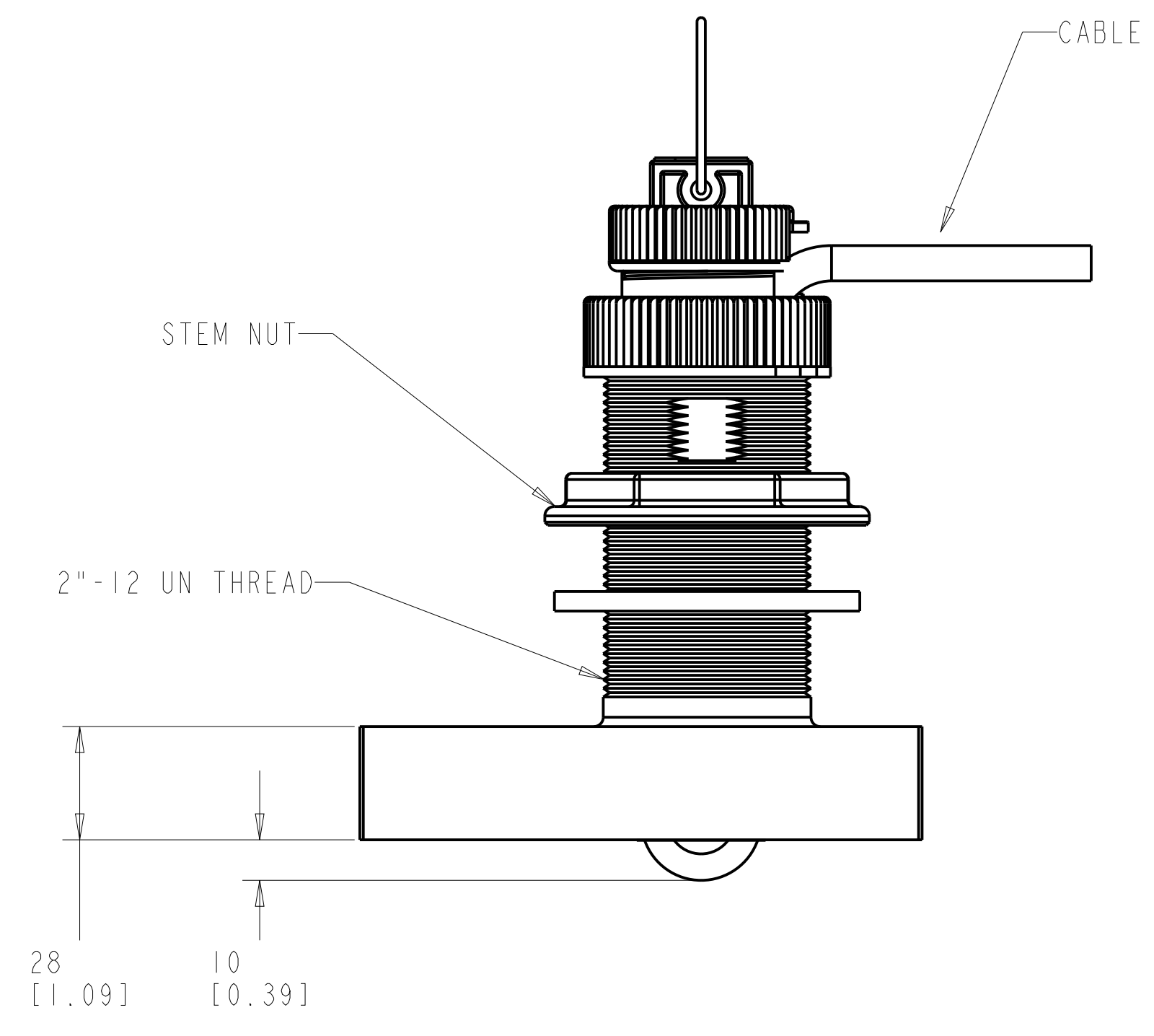
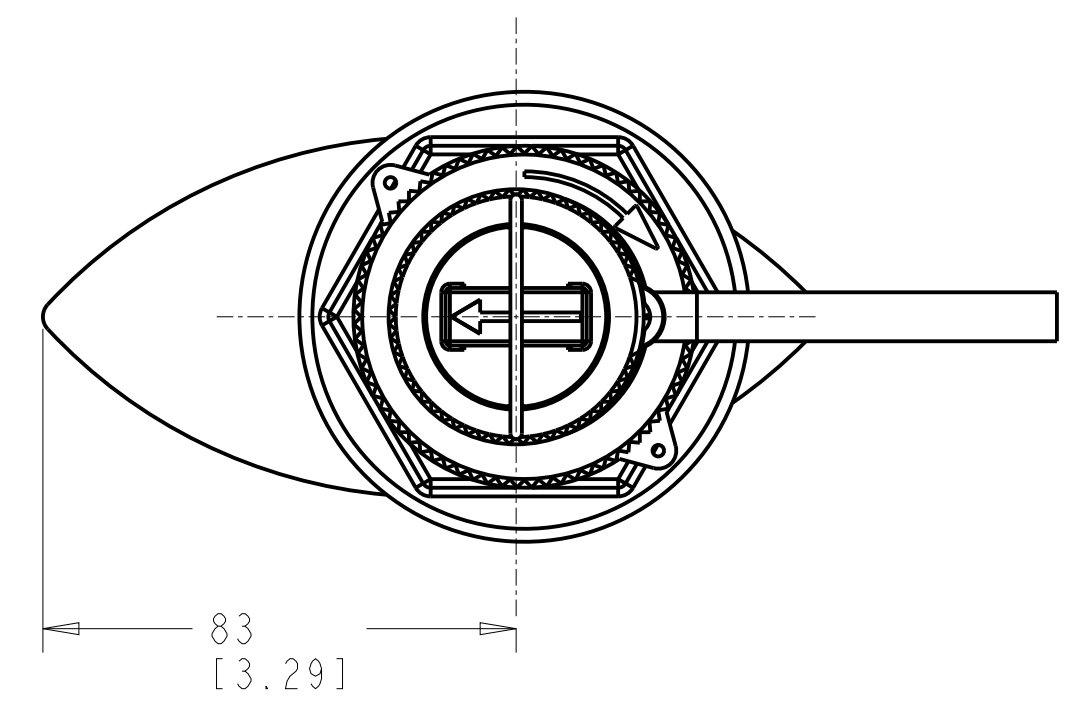


THIRD ANGLE PROJECTION		DOCUMENT REVISIONS		
REV	DESCRIPTION	CO. NO.	DATE	CHG/CHK
1	INITIAL RELEASE	2727	06/16/21	DLS/JD



UNLESS OTHERWISE SPECIFIED		SIGNATURE	DATE	PART NUMBER		P/N REV	
DIMENSIONS ARE IN MM		DRAWN: D. SPALDING	05/23/2018	N/A		N/A	
TOLERANCES ON		CHECKED: J. DECARLO	05/26/2021	AIRMAR TECHNOLOGY CORPORATION 35 MEADOWBROOK DR. MILFORD, NH 03055-4613 USA TEL: 603-673-9570 FAX: 603-673-4624			
0 PL DECIMALS: ±2		TITLE OUTLINE DRAWING B744V W/FAIRING					
1 PL DECIMALS: ±0.5							
ANGLES: ±1/2°							
FRACTIONS: ±1/16		MATERIAL HOUSING, STEM, HARDWARE: BRONZE ACOUSTIC WINDOW: URETHANE FAIRING: GLASS FILLED, IMPACT RESISTANT PLASTIC		SIZE D	SCALE: 3/4 SHEET 1 OF 2	DOC NUMBER D-92-271-01	DOC REV 1
THIS DOCUMENT AND THE DATA DISCLOSED HEREIN OR HEREWITH IS NOT TO BE REPRODUCED, USED, OR DISCLOSED IN WHOLE OR IN PART TO ANYONE WITHOUT THE PERMISSION OF AIRMAR.				CRITICAL DIMENSION	(REF)	DO NOT SCALE DRAWING	



PART NUMBER	N/A	P/N REV	N/A
-------------	-----	---------	-----

**AIRMAR** AIRMAR TECHNOLOGY CORPORATION  
 35 MEADOWBROOK DR.  
 MILFORD, NH 03055-4613 USA  
 TEL: 603-673-9370 FAX: 603-673-4624

TITLE  
 OUTLINE DRAWING  
 B744V W/O FAIRING

SIZE	SCALE: 3/4	DOC NUMBER	DOC REV
D	SHEET 2 OF 2	D-92-271-01	1

THIS DOCUMENT AND THE DATA DISCLOSED HEREIN OR HEREWITH IS NOT TO BE REPRODUCED, USED, OR DISCLOSED IN WHOLE OR IN PART TO ANYONE WITHOUT THE PERMISSION OF AIRMAR.

CRITICAL DIMENSION (REF) DO NOT SCALE DRAWING