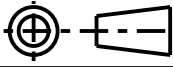


THIRD ANGLE PROJECTION

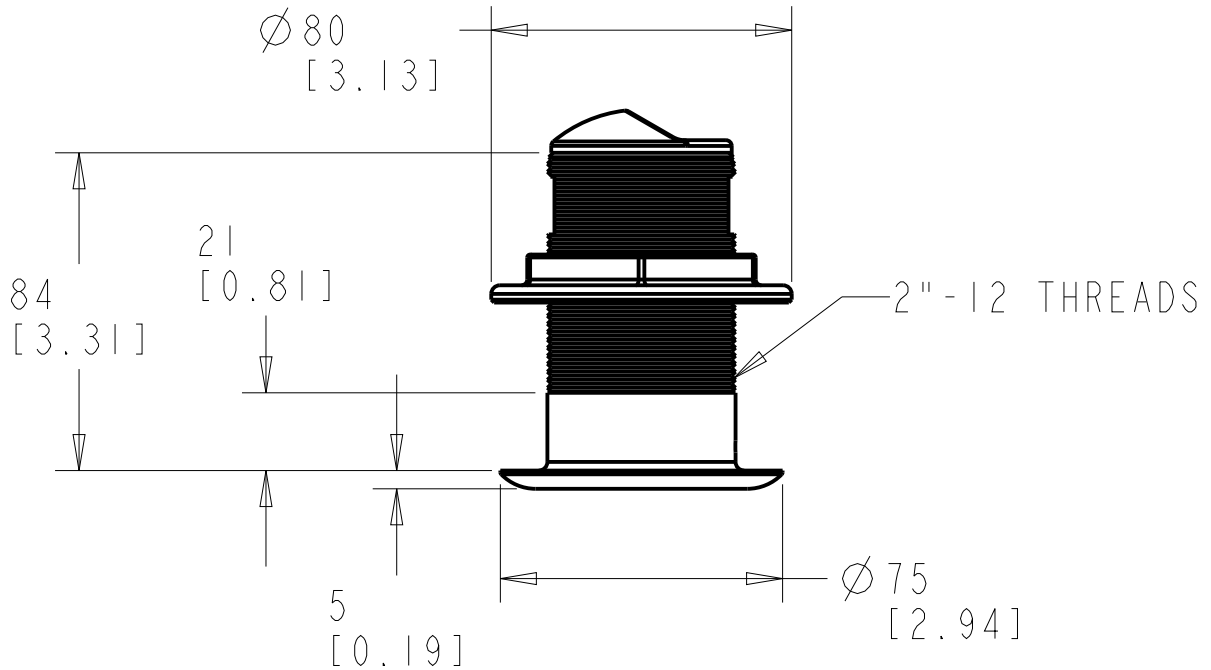


DOCUMENT REVISIONS

REV	DESCRIPTION	CO NO.	DATE	CHG/CHK
01	RELEASE TO PRODUCTION.	11188	07/25/12	ALB/FSC
2	ADDED B150M TO TITLE	2437	02/25/21	EJB/JD

NOTES

- HOUSING AND NUT MATERIAL: BRONZE ALLOY
CAP MATERIAL: HIGH IMPACT, CHEMICAL RESISTANT PLASTIC



PART NUMBER	N/A	P/N REV	N/A
-------------	-----	---------	-----

UNLESS OTHERWISE SPECIFIED	SIGNATURE	DATE
DIMENSIONS ARE IN MILLIMETERS TOLERANCES ON 0 PL DECIMALS: ±2 2 PL DECIMALS: ±0.5 ANGLES: ±1/2° FRACTIONS: ±1/16	DRAWN: F.CHASE	07/13/12
	CHECKED: R.CULLEN	07/17/12

AIRMAR AIRMAR TECHNOLOGY CORPORATION
35 MEADOWBROOK DR
MILFORD NH 03055-4613 USA
TEL: 603-673-9570 FAX: 603-673-4624

TITLE
OUTLINE DRAWING
B619, B117 AND B150M

MATERIAL
SEE NOTE 1

SIZE	SCALE: 1/2	DOC NUMBER	DOC REV
A	SHEET 1 OF 1	D-92-234-02	2

THIS DOCUMENT AND THE DATA DISCLOSED HEREIN OR HERewith IS NOT TO BE REPRODUCED, USED, OR DISCLOSED IN WHOLE OR IN PART TO ANYONE WITHOUT THE PERMISSION OF AIRMAR.

CRITICAL DIMENSION (REF)
DO NOT SCALE DRAWING