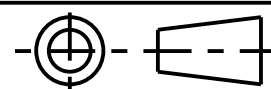


THIRD ANGLE PROJECTION

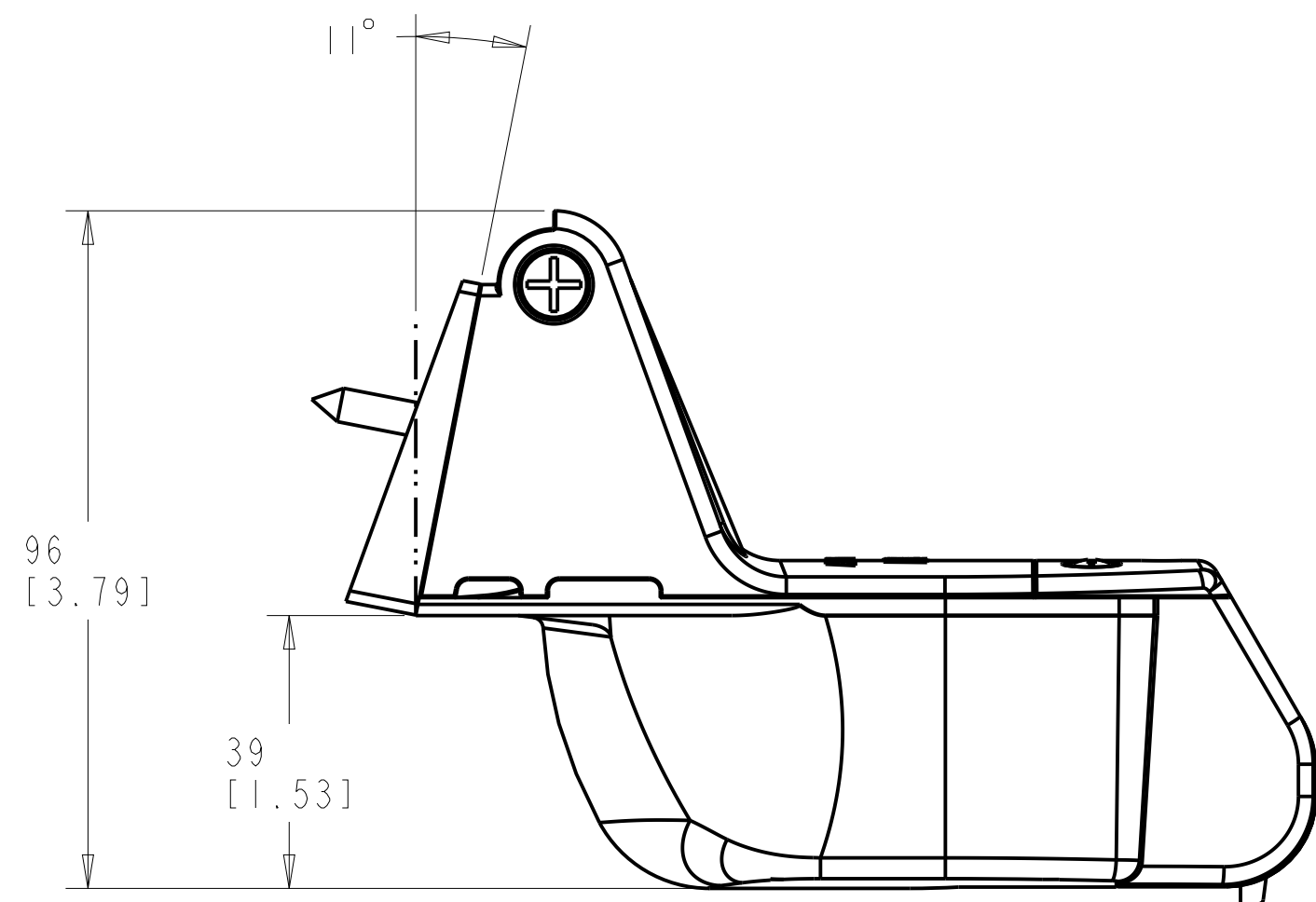
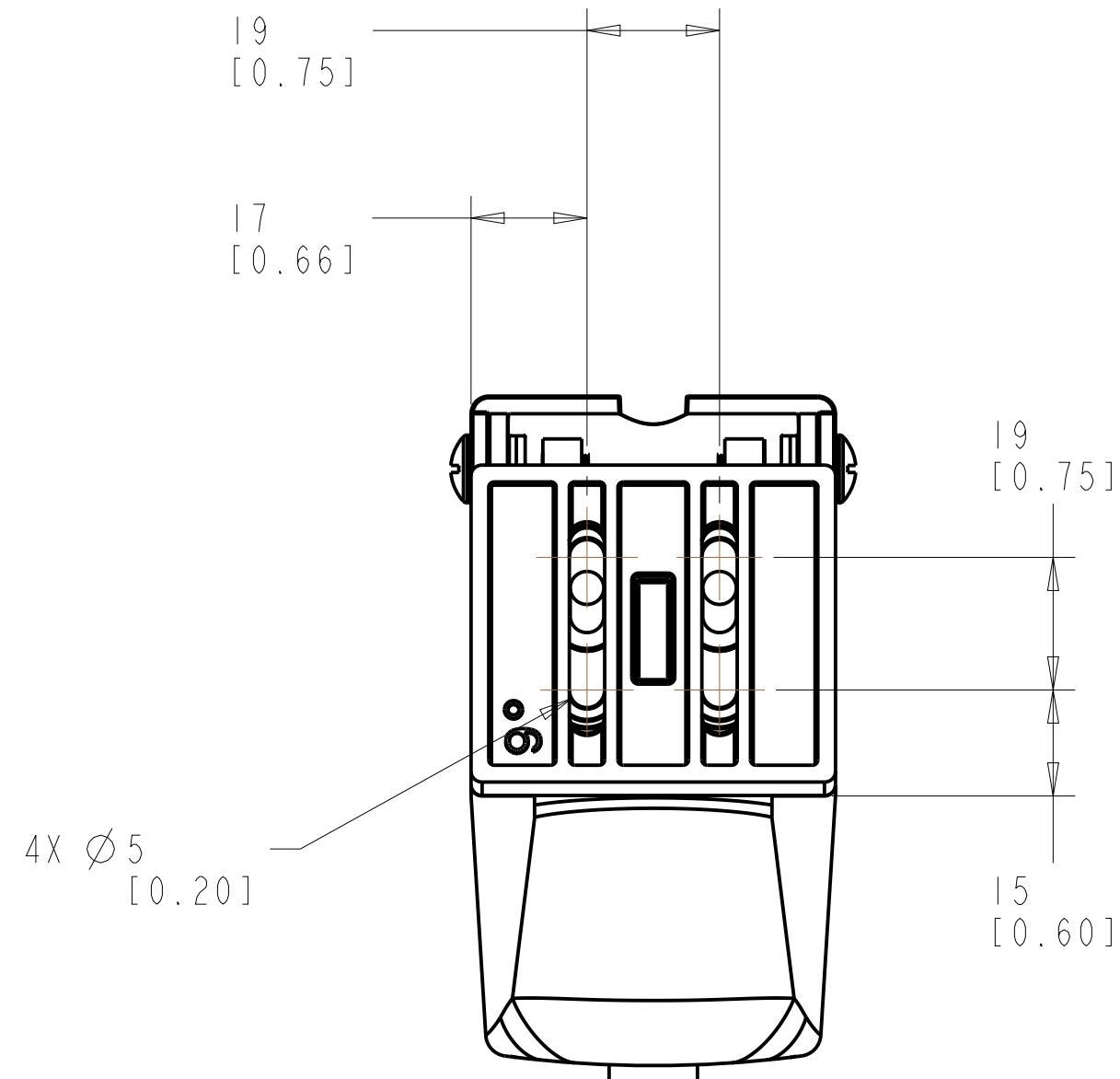
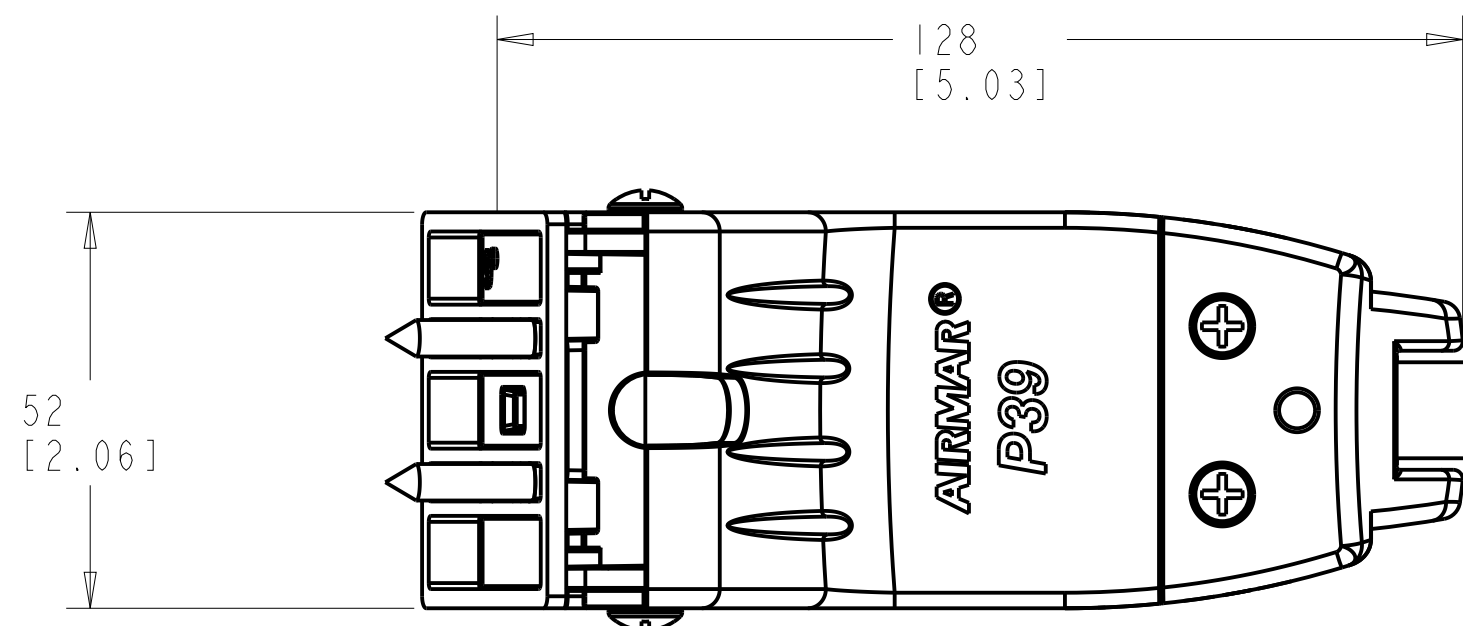


DOCUMENT REVISIONS

REV	DESCRIPTION	CO NO.	DATE	CHG/CHK
1	INITIAL RELEASE	1673	05/05/20	---/---

NOTES:

1. AMGLED WEDGE NOT INCLUDED IN OUTLINE DRAWING



PART NUMBER	N/A	P/N REV	N/A
-------------	-----	---------	-----

UNLESS OTHERWISE SPECIFIED	SIGNATURE	DATE
DIMENSIONS ARE IN MM TOLERANCES ON 0 PL DECIMALS: ±2 1 PL DECIMALS: ±0.5 ANGLES: ±1/2° FRACTIONS: ±1/16	DRAWN: D.SPALDING	06/05/18
	CHECKED: J. DeCARLO	05/01/20



AIRMAR TECHNOLOGY CORPORATION
35 MEADOWBROOK DR.
MILFORD, NH 03055-4613 USA
TEL: 603-673-9570 FAX: 603-673-4624

TITLE
OUTLINE DRAWING
TRANSOM MOUNT P39

MATERIAL
HOUSING: IMPACT RESISTANT PLASTIC

SIZE C	SCALE: FULL SHEET 1 OF 1	DOC NUMBER D-92-222-01	DOC REV 1
-----------	-----------------------------	---------------------------	--------------

THIS DOCUMENT AND THE DATA DISCLOSED HEREIN OR HEREWITH IS NOT TO BE REPRODUCED, USED, OR DISCLOSED IN WHOLE OR IN PART TO ANYONE WITHOUT THE PERMISSION OF AIRMAR.

CRITICAL DIMENSION (REF) DO NOT SCALE DRAWING