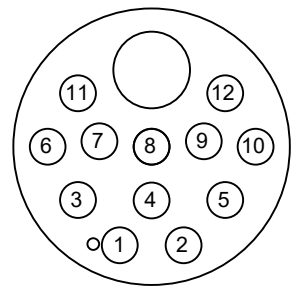
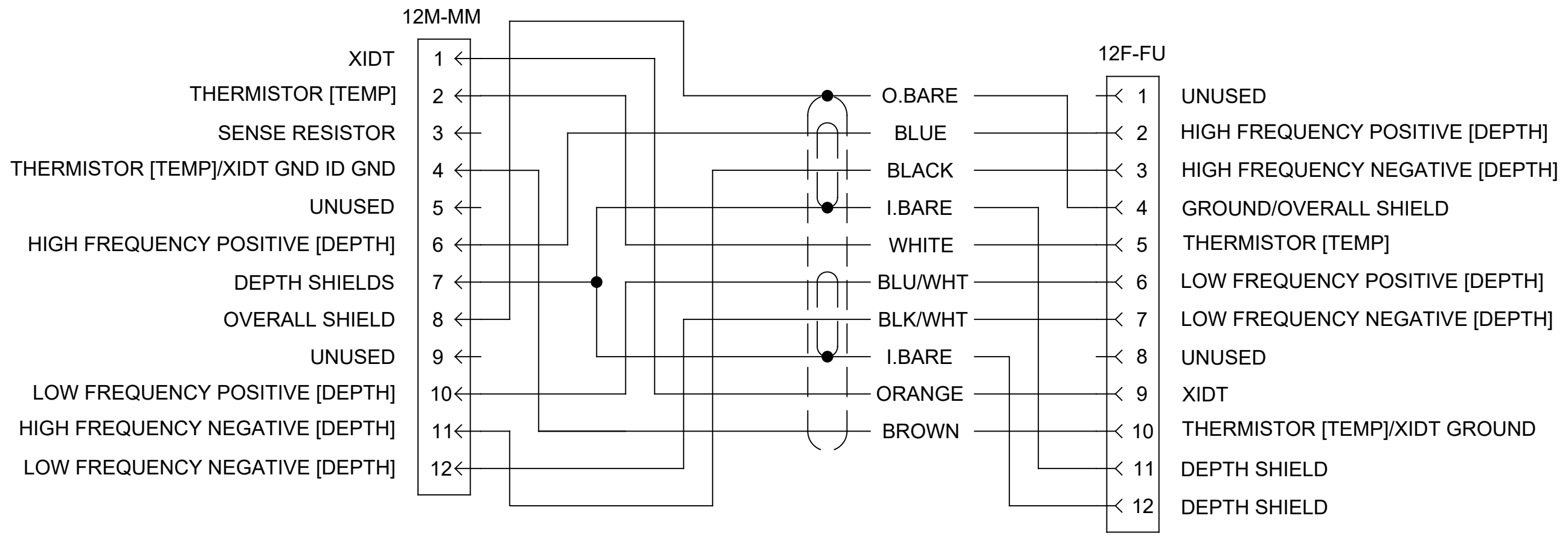
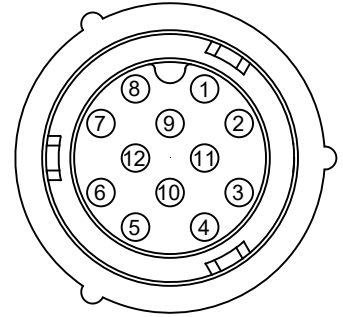


THIRD ANGLE PROJECTION		DOCUMENT REVISIONS			
	REV	DESCRIPTION	CO NO.	DATE	CHG/CHK
	1	INITIAL RELEASE	---	--/--	---/---



CONTACT END VIEW
12 PIN MALE



CONTACT END VIEW
12 PIN FEMALE

UNLESS OTHERWISE SPECIFIED	SIGNATURE	DATE
DIMENSIONS ARE IN INCHES	DRAWN: R.EVANS	08/31/21
TOLERANCES ON	CHECKED: I.ROBB	09/16/21
2 PL DECIMALS: ±0.02		
3 PL DECIMALS: ±0.005		
ANGLES: ±1/2°		
FRACTIONS: ±1/16		
SURFACE FINISH: √63		
MATERIAL	AS NOTED	

PART NUMBER	N/A	P/N REV	N/A
AIRMAR			
<small>AIRMAR TECHNOLOGY CORPORATION 35 MEADOWBROOK DR MILFORD NH 03055-4613 USA TEL: 603-673-9570 FAX: 603-673-4624</small>			
TITLE			
WIRING, CBL ASSEMBLY 12M-MM & 12F-FU			
SIZE	SCALE: NONE	DOC NUMBER	DOC REV
B	SHEET 1 OF 1	D-20251	1

THIS DOCUMENT AND THE DATA DISCLOSED HEREIN OR HEREWITH IS NOT TO BE REPRODUCED, USED, OR DISCLOSED IN WHOLE OR IN PART TO ANYONE WITHOUT THE PERMISSION OF AIRMAR

CRITICAL DIMENSIONS (REF) DO NOT SCALE DRAWING