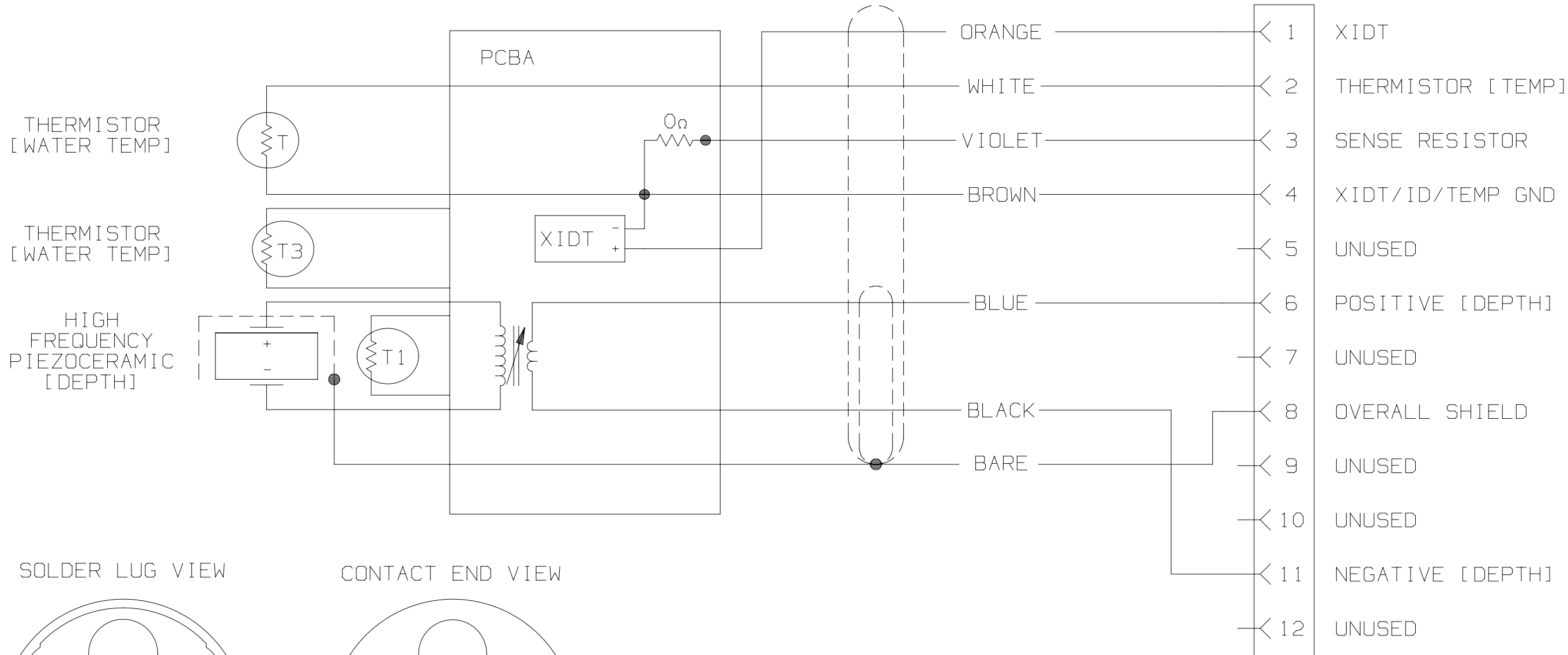
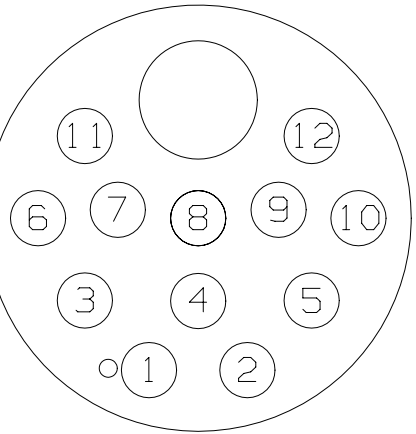
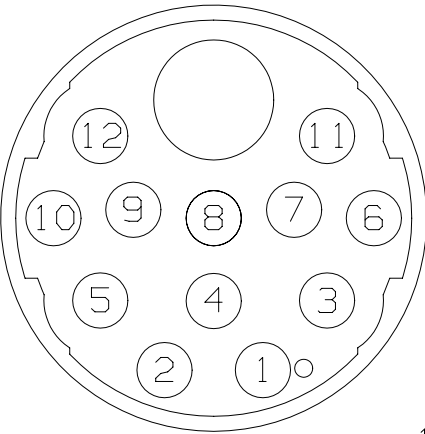


THIRD ANGLE PROJECTION		DOCUMENT REVISIONS			
	REV	DESCRIPTION	CO NO.	DATE	CHG/CHK
	1	INITIAL RELEASE	536	03/20/19	---/---



SOLDER LUG VIEW

CONTACT END VIEW



12 PIN FEMALE CONNECTOR

PART NUMBER	P/N REV
N/A	N/A

UNLESS OTHERWISE SPECIFIED DIMENSIONS ARE IN INCHES TOLERANCES ON 2 PL DECIMALS ±0.02 3 PL DECIMALS ±0.005 ANGLES ± 1/2° FRACTIONS ± 1/32 SURFACE FINISH 53	SIGNATURE	DATE
	ORIGINATOR I.ROBB	03/19/19
	DRAWN R.EVANS	03/19/19
	CHECKED A.BIATHROW	03/19/19
	APPROVED W.LETENDRE	03/20/19
MATERIAL	CABLE 06-315 CONNECTOR 05-929-01	

AIRMAR		AIRMAR TECHNOLOGY CORPORATION 35 MEADOWBROOK DR. MILFORD NH 03055-4613 USA TEL: 603-673-9570 FAX: 603-673-4624	
TITLE WIRING, DEPTH/TEMP, XIDT, SINGLE ELEM PCBA, C315, 12F-MM [TM165]			
SIZE B	SCALE: NONE SHEET 1 OF 1	DOC NUMBER D-18028	DOC REV 1

THIS DOCUMENT AND THE DATA DISCLOSED HEREIN OR HEREWITH IS NOT TO BE REPRODUCED, USED, OR DISCLOSED IN WHOLE OR IN PART TO ANYONE WITHOUT THE PERMISSION OF AIRMAR

CRITICAL DIMENSIONS DO NOT SCALE DRAWING