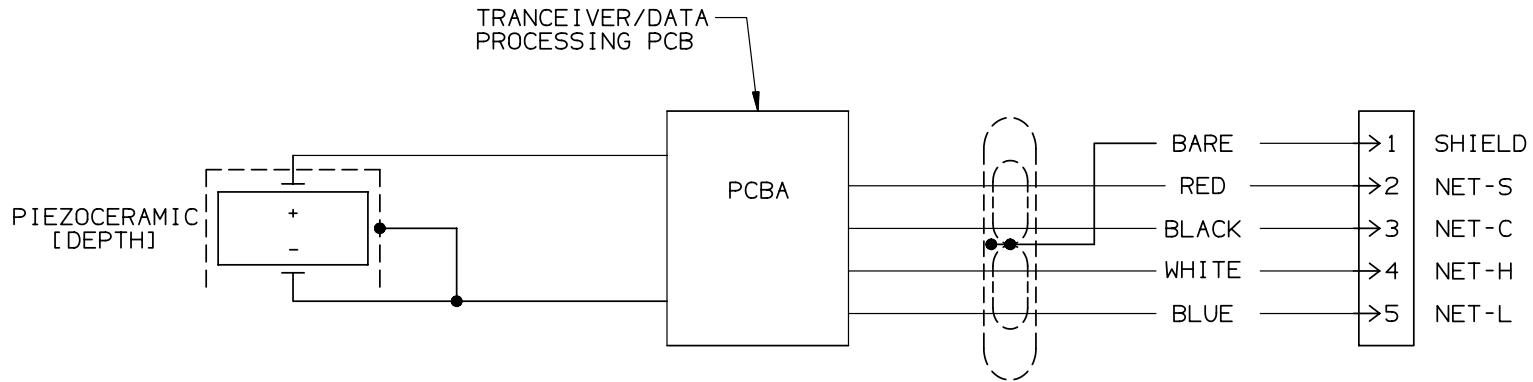


THIRD ANGLE PROJECTION		REVISIONS				
		REV	DESCRIPTION	ECO NO	DATE	CHG/CHK
		01	RELEASE TO PRODUCTION.	08E0493	09/04/08	ALB/FSC
		02	DELETE 25-489-01. ADD 25-504-01.	10127	07/08/10	ALB/FSC
		03	REDRAW ON B SIZE SHEET. CHANGE MATERIAL FROM CS-DEVICE NET CABLE ASSEMBLY TO PURCHASED CABLE. REMOVE CONTACT VIEW. REMOVE PCBA PART NUMBER.	13465	03/16/16	MHC/CDS



REFERENCE:

- NET-S: POWER SOURCE, POSITIVE
- NET-C: POWER SOURCE, COMMON
- NET-H: CAN "HIGH" SIGNAL LINE
- NET-L: CAN "LOW" SIGNAL LINE

UNLESS OTHERWISE SPECIFIED DIMENSIONS ARE IN INCHES TOLERANCES ON 2 PL DECIMALS ±0.02 3 PL DECIMALS ±0.005 ANGLES ± 1/2° FRACTIONS ± 1/32 SURFACE FINISH	SIGNATURE	DATE	<b>AIRMAR</b> AIRMAR TECHNOLOGY CORPORATION 35 HEADSBROOK DR MILFORD NH 03055-4613 USA TEL: 603-673-9570 FAX: 603-673-4624
	DRAWN A. BIATHROW	02/04/08	
	CHECKED J. JEFFERS	02/14/08	
	CHECKED W. SERMATKA	02/14/08	
MATERIAL	PURCHASED CABLE ASSEMBLY		TITLE NMEA 2000 WIRING, SMART™, DEPTH DEVICE NET 5M-DN
	SIZE	SCALE: NONE	NUMBER
		SHEET 1 OF 1	91-937 REV 03