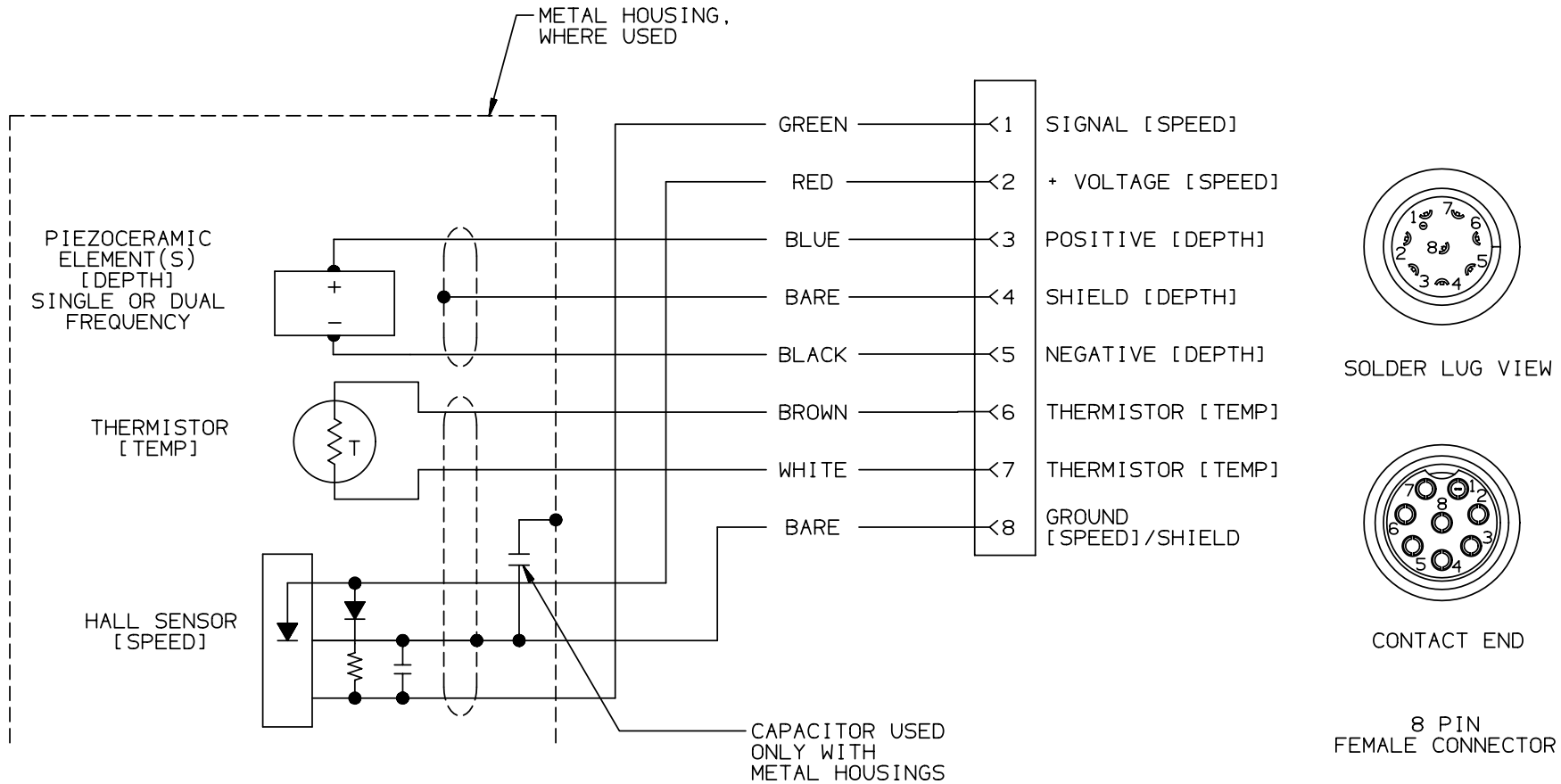


THIRD ANGLE PROJECTION		REVISIONS			
REV	DESCRIPTION	ECO NO	DATE	CHG/CHK	
01	RELEASE TO PRODUCTION.	07E0516	09/12/07	ALB/FSC	



NOTE: ORANGE WIRE IS CUT OFF AT BOTH ENDS.

UNLESS OTHERWISE SPECIFIED DIMENSIONS ARE IN INCHES TOLERANCES ON 2 PL DECIMALS ±.02 3 PL DECIMALS ±.005 ANGLES ± 1/2° FRACTIONS ± 1/16 SURFACE FINISH $\sqrt{32}$	SIGNATURE	DATE	<b>AIRMAR</b> AIRMAR TECHNOLOGY CORPORATION 35 HEADSBROOK DR MILFORD NH 03055-4613 USA TEL: 603-673-9570 FAX: 603-673-4624
	DRAWN A. BIATHROW	01/02/07	
	CHECKED J. JEFFERS	01/17/07	
MATERIAL	AIRMAR CABLE #06-344 AIRMAR CONNECTOR #05-018		TITLE WIRING TRIDUCER® DST 8F-F, C344
SIZE B SCALE: NONE SHEET 1 OF 1		NUMBER 91-855 REV 01	
THIS DOCUMENT AND THE DATA DISCLOSED HEREIN OR HERewith IS NOT TO BE REPRODUCED, USED, OR DISCLOSED IN WHOLE OR IN PART TO ANYONE WITHOUT THE PERMISSION OF AIRMAR			[CD] CRITICAL DIMENSIONS DO NOT SCALE DRAWING