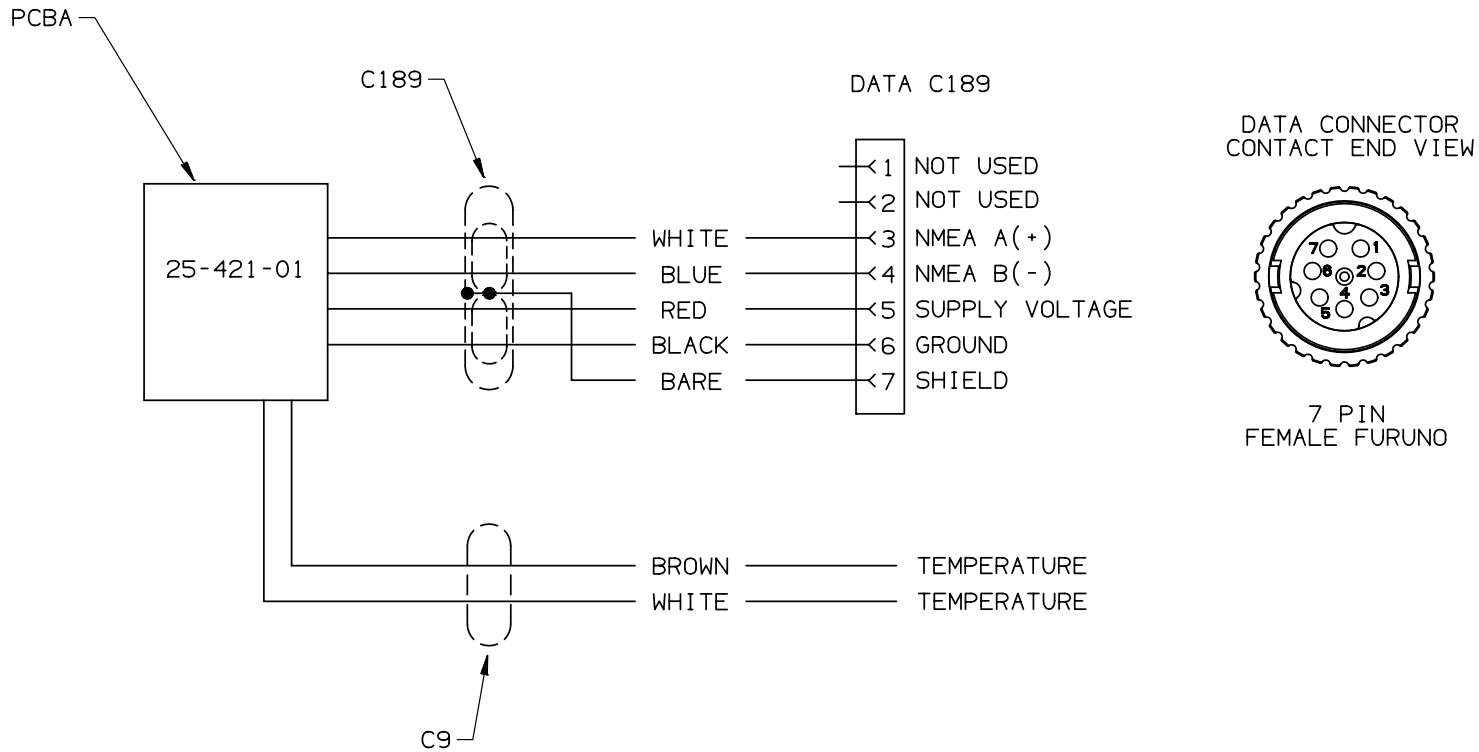


THIRD ANGLE PROJECTION		REVISIONS			
	REV	DESCRIPTION	ECO NO	DATE	CHG/CHK
	01	RELEASE TO PRODUCTION.	09E0018	01/21/09	CEJ/FSC



NOTE: RED, GREEN, AND BARE WIRES ON THE C9 ARE CUT OFF.

UNLESS OTHERWISE SPECIFIED DIMENSIONS ARE IN INCHES TOLERANCES ON 2 PL DECIMALS ±0.02 3 PL DECIMALS ±0.005 ANGLES ± 1/2° FRACTIONS ± 1/32 SURFACE FINISH $\sqrt{63}$	SIGNATURE	DATE	<b>AIRMAR</b> AIRMAR TECHNOLOGY CORPORATION 35 HEADONBROOK DR MILFORD NH 03055-4613 USA TEL: 603-673-9570 FAX: 603-673-4624
	DRAWN C. ANDREWS	04/07/05	
	CHECKED J. JEFFERS	04/15/05	
	CHECKED W. SERMATKA	04/15/05	
MATERIAL	AIRMAR CABLE #06-189-02 & 06-009 AIRMAR CONN #05-431-01		TITLE WIRING, SMART/TEMP, C189 7F-FU, AND C9 NC
	SIZE	SCALE: NONE	NUMBER
		SHEET 1 OF 1	91-745 REV 01