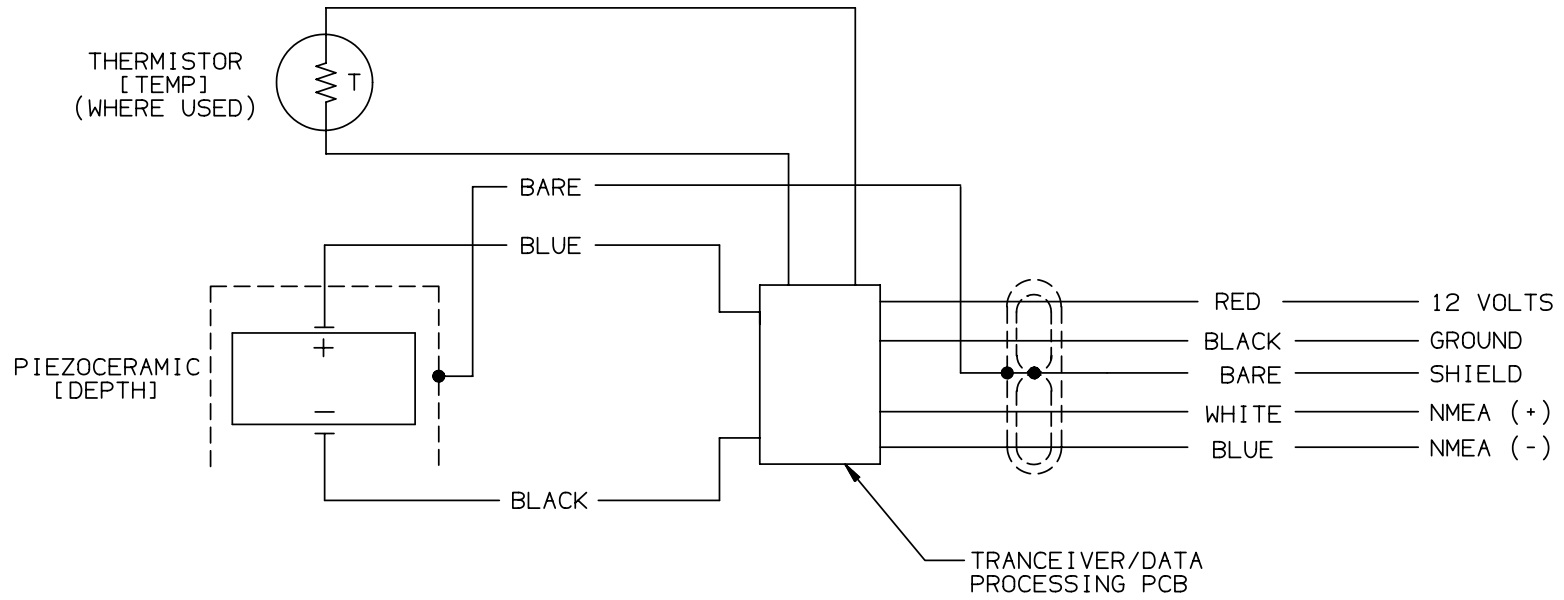


THIRD ANGLE PROJECTION		REVISIONS				
		REV	DESCRIPTION	ECO NO	DATE	CHG/CHK
		01	RELEASE TO PRODUCTION	02E0194	03/04/02	ATB/RMC
		02	ADD 06-189-02 TO MATERIAL BLOCK	04E0054	02/06/04	SFH/ATB



UNLESS OTHERWISE SPECIFIED DIMENSIONS ARE IN INCHES TOLERANCES ON 2 PL DECIMALS ±0.02 3 PL DECIMALS ±0.005 ANGLES ± 1/2° FRACTIONS ± 1/32 SURFACE FINISH	SIGNATURE	DATE	AIRMAR AIRMAR TECHNOLOGY CORPORATION 35 HEADSBROOK DR MILFORD NH 03055-4613 USA TEL: 603-673-9570 FAX: 603-673-4624
	DRAWN J. CHAMBERS	02/26/01	
	CHECKED J. JEFFERS	05/04/01	
MATERIAL	AIRMAR CABLE #06-189-01 #06-189-02 NO CONNECTOR		TITLE WIRING, INTELLIGENT, DEPTH/TEMP, NC
	SIZE	SCALE: NONE	NUMBER
		SHEET 1 OF 1	91-461 REV 02