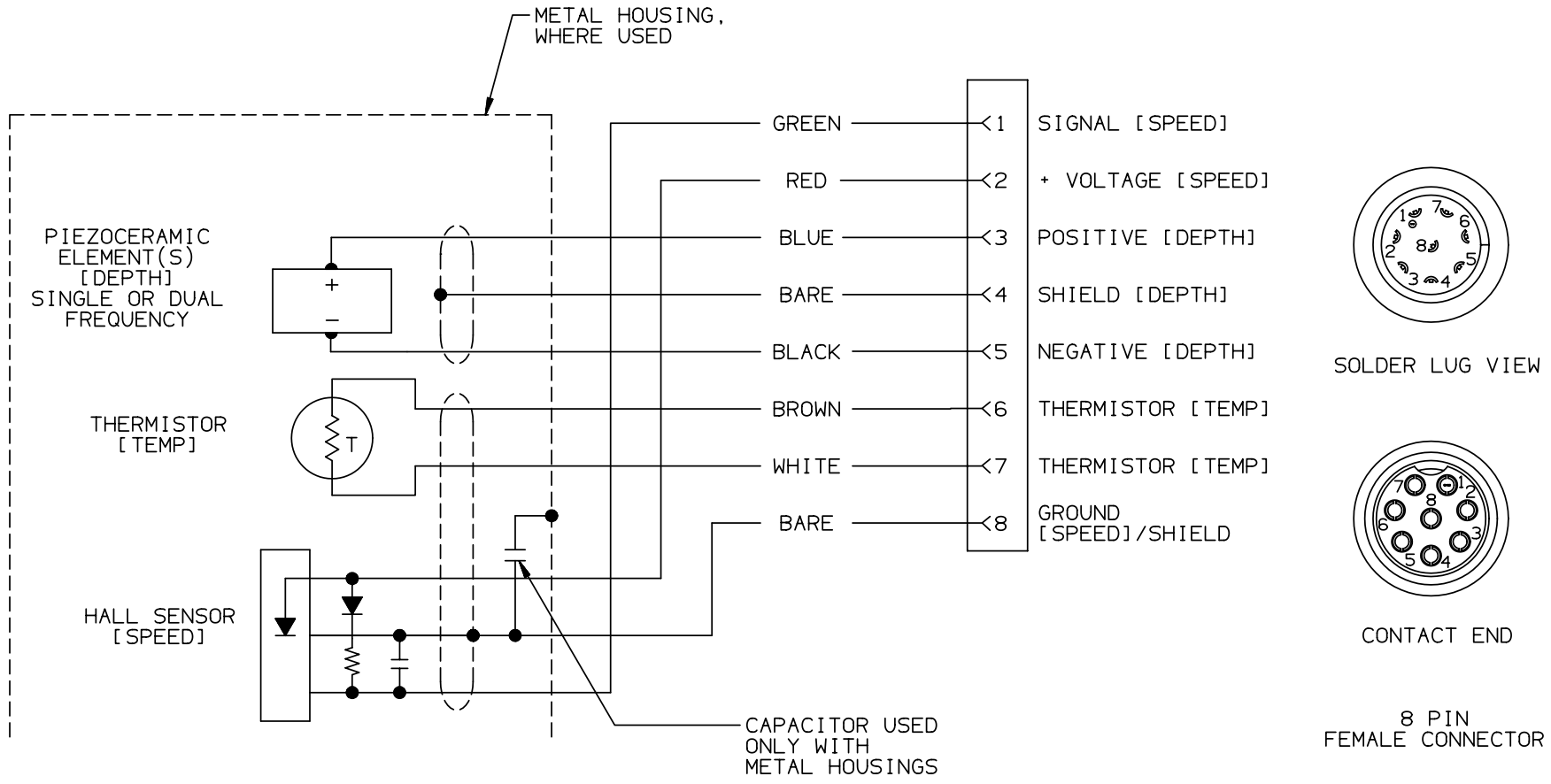


THIRD ANGLE PROJECTION		REVISIONS				
		REV	DESCRIPTION	ECCO NO	DATE	CHG/CHK
		01	RELEASE TO PRODUCTION.	00E0245	04/24/00	JLC/FSC



UNLESS OTHERWISE SPECIFIED DIMENSIONS ARE IN INCHES TOLERANCES ON 2 PL DECIMALS ±.02 3 PL DECIMALS ±.005 ANGLES ± 1/2° FRACTIONS ± 1/16 SURFACE FINISH	SIGNATURE	DATE	<b>AIRMAR</b> AIRMAR TECHNOLOGY CORPORATION 35 HEADSBROOK DR MILFORD NH 03055-4613 USA TEL: 603-673-9570 FAX: 603-673-4624
	DRAWN J. CHAMBERS	04/11/00	
	CHECKED J. JEFFERS	04/11/00	
	CHECKED F. BEETCHER	04/11/00	
MATERIAL	AIRMAR CABLE #06-144 AIRMAR CONNECTOR #05-018		TITLE WIRING TRIDUCER 8F-F, C144
	SIZE	SCALE: NONE	NUMBER
		SHEET 1 OF 1	91-411 REV 01