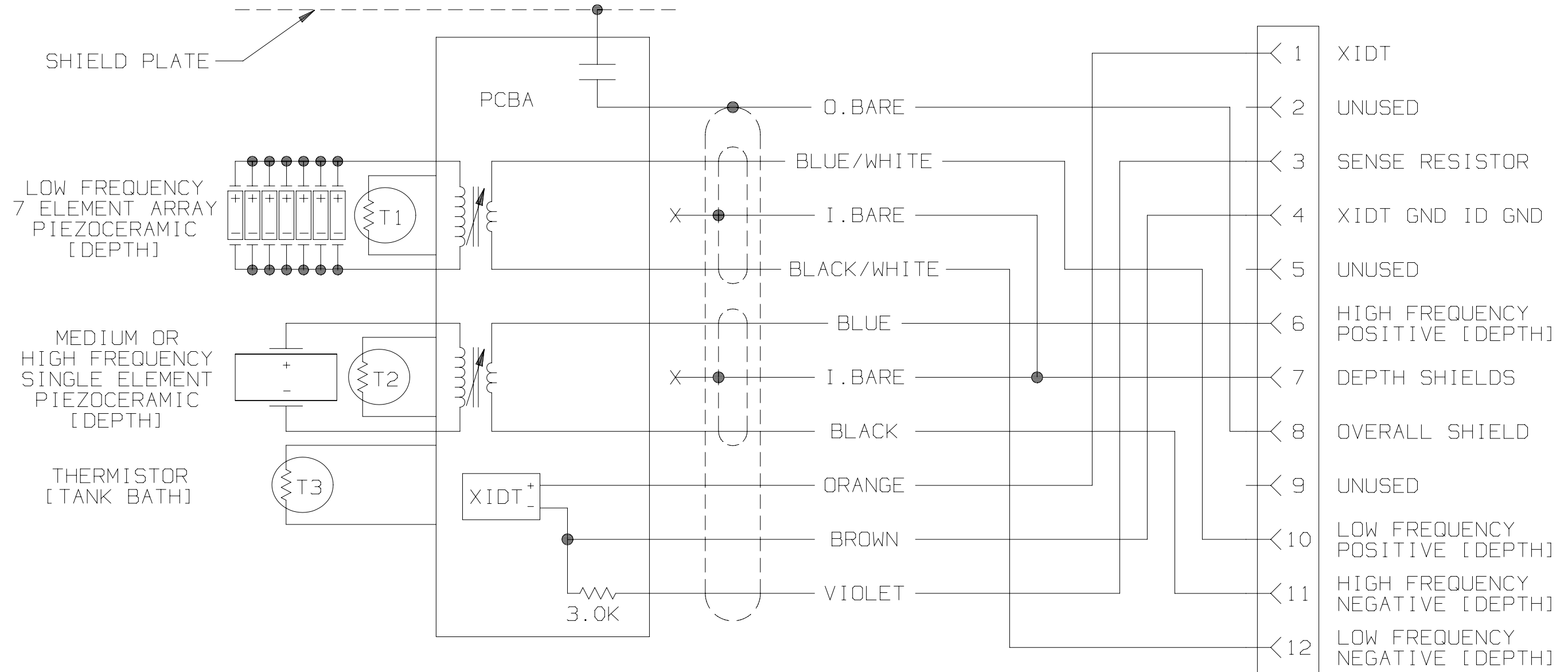


AIRMAR FORM #17-8026-1 REV 05

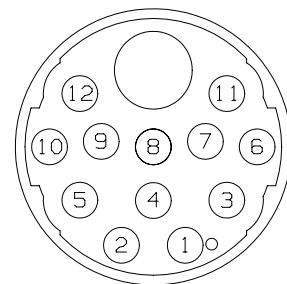
NOTES:

1. INNER BARE WIRES ARE CUT OFF INSIDE THE TRANSDUCER.
2. WHITE WIRE IS CUT OFF AT BOTH ENDS.

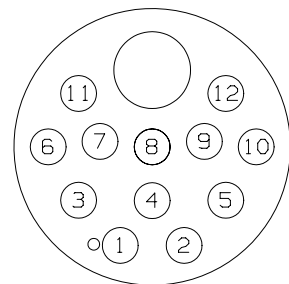
THIRD ANGLE PROJECTION		REVISIONS			
	REV	DESCRIPTION	ECO NO	DATE	CHG/CHK
	01	RELEASE TO PRODUCTION	15268	06/27/18	RLE/CDS



SOLDER LUG VIEW



CONTACT VIEW



12 PIN FEMALE CONNECTOR

UNLESS OTHERWISE SPECIFIED DIMENSIONS ARE IN INCHES TOLERANCES ON 2 PL DECIMALS ±0.02 3 PL DECIMALS ±0.005 ANGLES ± 1/2° FRACTIONS ± 1/32 SURFACE FINISH 53	SIGNATURE	DATE
	ORIGINATOR BIATHROW	05/14/18
	DRAWN R.EVANS	05/14/18
	CHECKED A.BIATHROW	05/21/18
	APPROVED W.LETENDRE	05/21/18
MATERIAL	CABLE: 06-334 CONN: 05-929-01	

		AIRMAR TECHNOLOGY CORPORATION 35 MEADOWBROOK DR MILFORD NH 03055-4613 USA TEL: 603-673-9570 FAX: 603-673-4624	
		TITLE WIRING, DUAL FREQUENCY, XIDT, DEPTH/TEMP, 7 ELEM L & 1 ELEM H, C334, 12F-MM [B265]	
SIZE B	SCALE: NONE	NUMBER 91-1410 REV 01	
SHEET 1 OF 1			