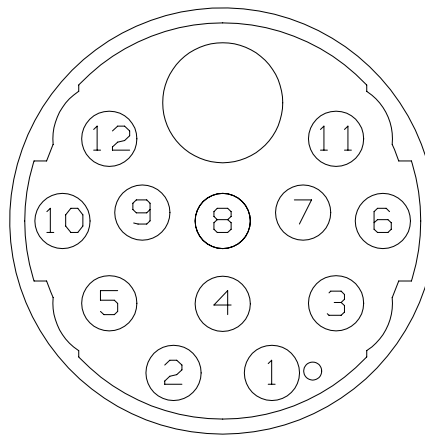
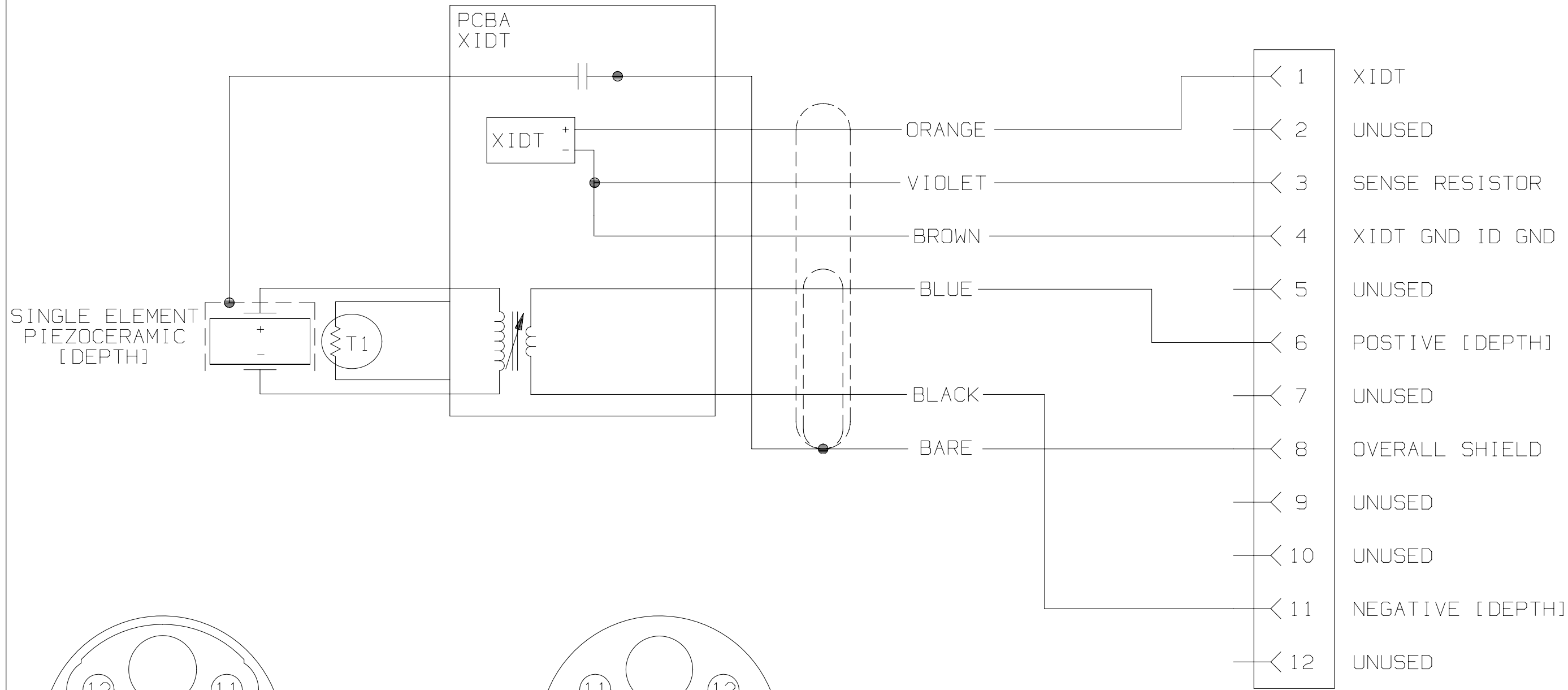
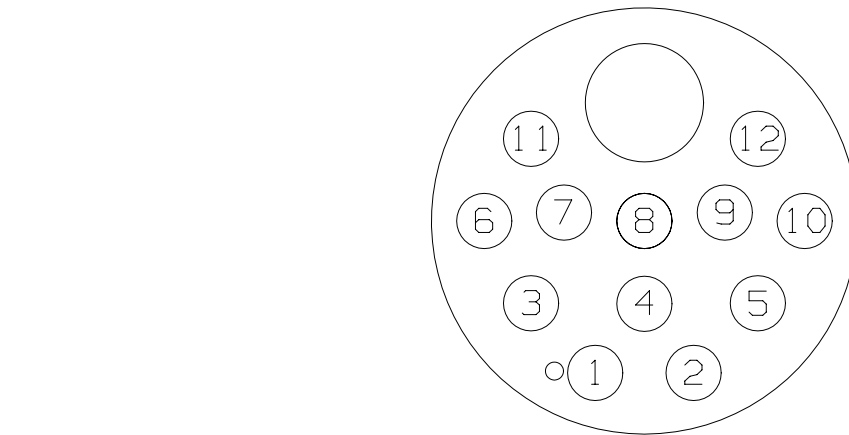


NOTE: WHITE WIRE IS CUT OFF AT BOTH ENDS.

THIRD ANGLE PROJECTION		REVISIONS			
	REV	DESCRIPTION	ECO NO	DATE	CHG/CHK
	01	RELEASE TO PRODUCTION.	13854	09/21/16	TLY/CDS



SOLDER LUG VIEW



12 PIN FEMALE CONNECTOR CONTACT VIEW

UNLESS OTHERWISE SPECIFIED DIMENSIONS ARE IN INCHES TOLERANCES ON 2 PL DECIMALS ±0.02 3 PL DECIMALS ±0.005 ANGLES ± 1/2° FRACTIONS ± 1/32 SURFACE FINISH 53	SIGNATURE	DATE
	ORIGINATOR I.ROBB	06/09/16
	DRAWN T.YOHE	06/09/16
	CHECKED I.ROBB	06/27/16
	APPROVED F.BOERICKE	06/27/16
MATERIAL	AIRMAR CABLE: 06-315 CONNECTOR: 05-929-01	

AIRMAR AIRMAR TECHNOLOGY CORPORATION
35 MEADOWBROOK DR
MILFORD NH 03055-4613 USA
TEL: 603-673-9570 FAX: 603-673-4624

TITLE
WIRING, DEPTH, XIDT,
SINGLE ELEM PCBA, C315,
12F-MM [P75M] MIX AND MATCH

SIZE B SCALE: NONE NUMBER 91-1312 REV 01
SHEET 1 OF 1