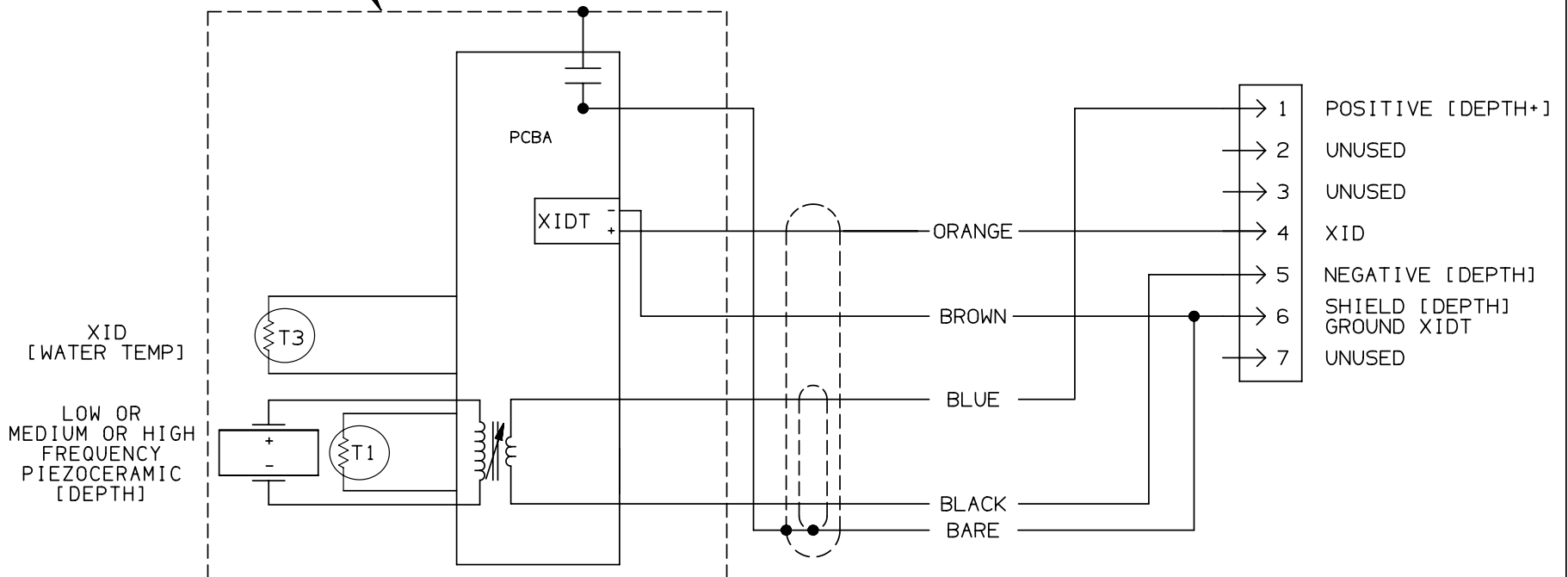


METAL HOUSING

| THIRD ANGLE PROJECTION | | REVISIONS | | | |
|------------------------|------------------------|-----------|----------|---------|--|
| REV | DESCRIPTION | ECO NO | DATE | CHG/CHK | |
| 01 | RELEASE TO PRODUCTION. | 12451 | 08/01/14 | SMB/CDS | |

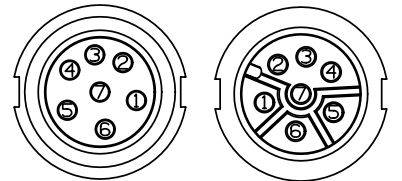


XID
[WATER TEMP]

LOW OR
MEDIUM OR HIGH
FREQUENCY
PIEZOCERAMIC
[DEPTH]

- 1 POSITIVE [DEPTH+]
- 2 UNUSED
- 3 UNUSED
- 4 XID
- 5 NEGATIVE [DEPTH]
- 6 SHIELD [DEPTH] GROUND XIDT
- 7 UNUSED

SOLDER LUG VIEW CONTACT END VIEW



7 PIN MALE
BLUE CONNECTOR
#05-203-01

NOTE:
1. VIOLET & WHITE ARE CUT OFF ON BOTH ENDS.

| | | | |
|---|----------------------|--------------|--|
| UNLESS OTHERWISE SPECIFIED DIMENSIONS ARE IN INCHES TOLERANCES ON 2 PL DECIMALS ±0.02 3 PL DECIMALS ±0.005 ANGLES ± 1/2° FRACTIONS ± 1/32 SURFACE FINISH $\sqrt{32}$ | SIGNATURE | DATE | AIRMAR AIRMAR TECHNOLOGY CORPORATION 35 HEADBROOK DR MILFORD NH 03055-4613 USA TEL: 603-673-9570 FAX: 603-673-4624 |
| | ORIGINATOR BIATHROW | 07/30/13 | |
| | DRAWN S. BRANT | 07/31/13 | |
| | CHECKED A. BIATHROW | 08/01/13 | |
| | APPROVED F. BOREICKE | 08/01/13 | TITLE |
| MATERIAL AIRMAR CABLE: 06-315 AIRMAR CONNECTOR: 05-203-01 | | | WIRING, XIDT, DEPTH/TEMP, 95-155A, PC, C315, 7M-LR [B150M & TM150M & B75L, M & H] |
| SIZE | | SCALE: NONE | NUMBER |
| B | | SHEET 1 OF 1 | 91-1211 REV 01 |