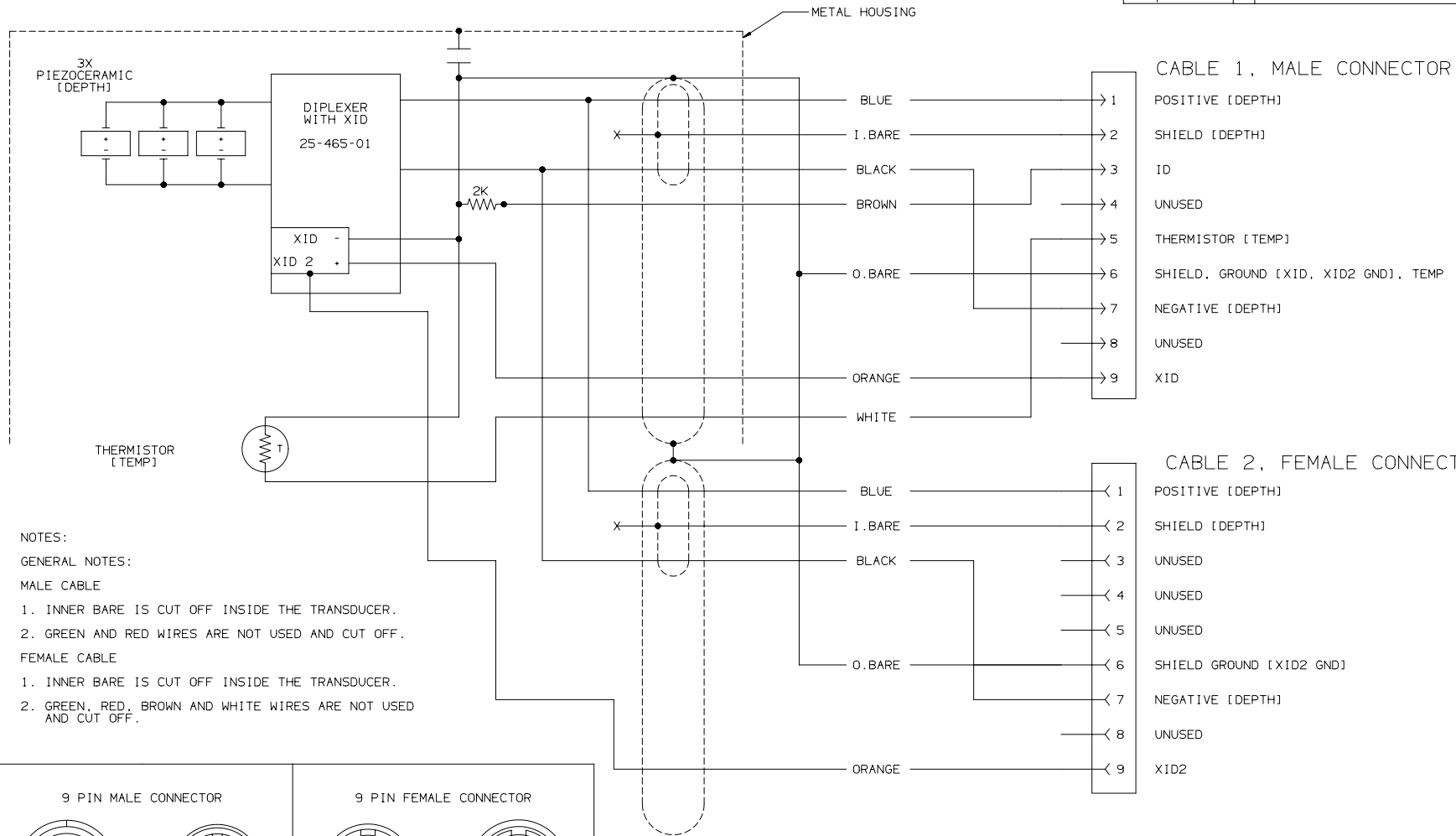


THIRD ANGLE PROJECTION		REVISIONS			
REV	DESCRIPTION	ECO NO.	DATE	CHK/CHK	
01	RELEASE TO PRODUCTION.	10849	01/12/12	ALB/CDS	



NOTES:

GENERAL NOTES:

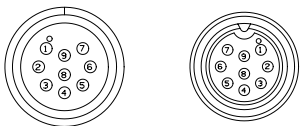
MALE CABLE

1. INNER BARE IS CUT OFF INSIDE THE TRANSDUCER.
2. GREEN AND RED WIRES ARE NOT USED AND CUT OFF.

FEMALE CABLE

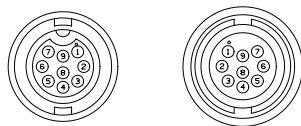
1. INNER BARE IS CUT OFF INSIDE THE TRANSDUCER.
2. GREEN, RED, BROWN AND WHITE WIRES ARE NOT USED AND CUT OFF.

9 PIN MALE CONNECTOR



SOLDER LUG VIEW CONTACT END VIEW

9 PIN FEMALE CONNECTOR



SOLDER LUG VIEW CONTACT END VIEW

UNLESS OTHERWISE SPECIFIED	SIGNATURE	DATE
DIMENSIONS ARE IN INCHES	ORIGINATOR J. JEFFERS	09/01/11
TOLERANCES ON 2 PL. DECIMALS ±0.03	DRAWN A. BLATHORN	09/01/11
3 PL. DECIMALS ±0.010	CHECKED J. JEFFERS	09/01/11
ANGLES ± 1/2°	APPROVED F. BERICKE	09/01/11
FRACTIONS ± 1/32		
MIN. SURFACE FINISH		

ORIGINATOR	DATE
J. JEFFERS	09/01/11
A. BLATHORN	09/01/11
J. JEFFERS	09/01/11
F. BERICKE	09/01/11

AIRMAR AIRMAR TECHNOLOGY CORPORATION
 35 HEADQUARTER DR. MILFORD, NH 03055-4613 USA
 TEL: 603-673-9570 FAX: 603-673-4624

TITLE: WIRING, DEPTH, TEMP, 50KHZ, DIPLXR-XID, TWO CABLES C332, 9M-A & 9F-A [SS264 TILTED]

MATERIAL: AIRMAR CABLE 2X 06-332 AIRMAR CONN 05-272-09 & 05-273-09	SIZE: D	SCALE: FULL	SHEET 1 OF 1	NUMBER: 91-1121 REV 01
---	---------	-------------	--------------	------------------------