

METAL HOUSING

50 KHZ X 7
PIEZOCERAMICS
[DEPTH]

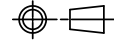
200 KHZ
PIEZOCERAMIC
[DEPTH]

THERMISTOR
[TEMP]

DIPLEXER
WITH XID
25-418-01

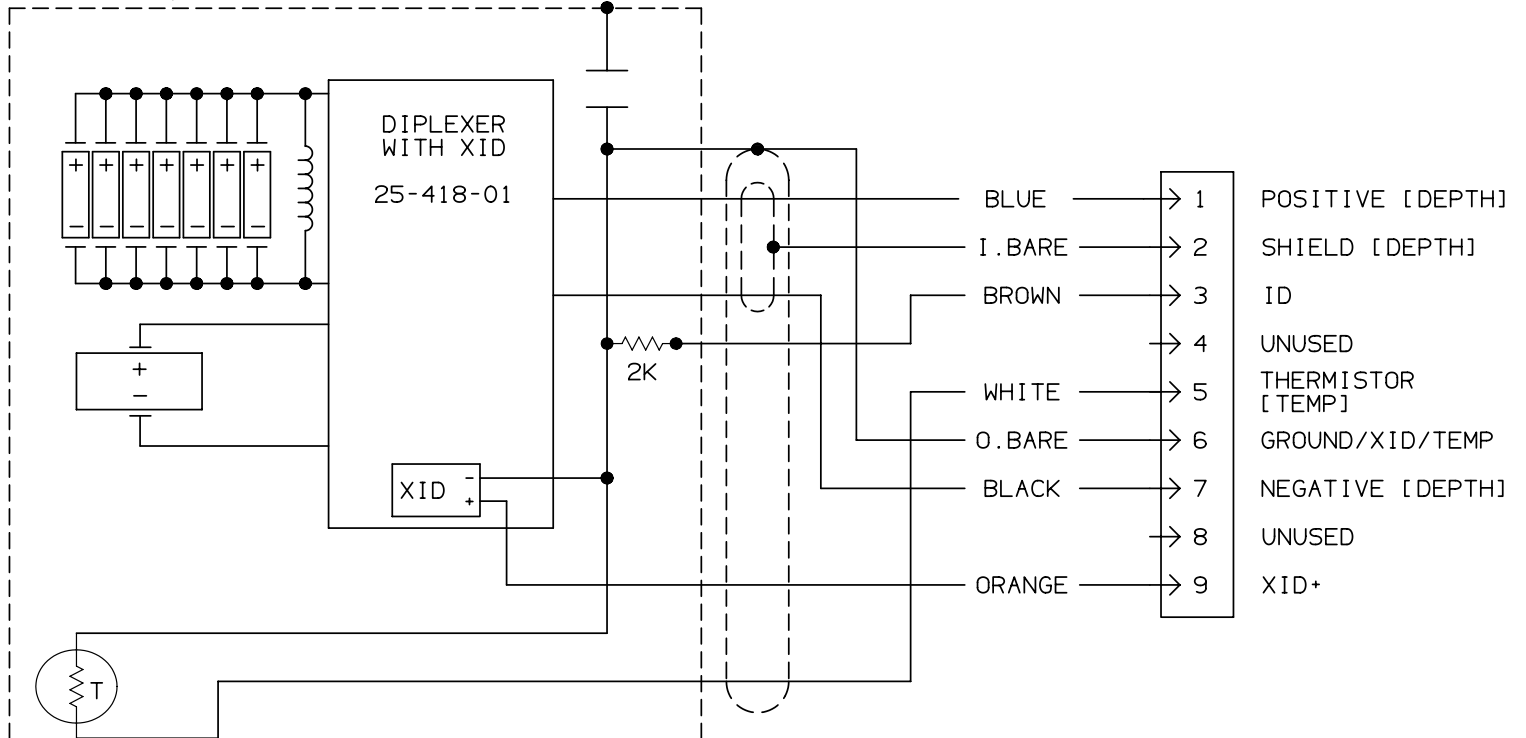
XID

THIRD ANGLE PROJECTION

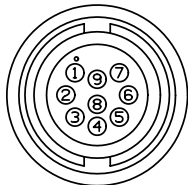


REVISIONS

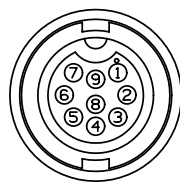
| REV | DESCRIPTION | ECC NO | DATE | CHG/CHK |
|-----|------------------------|--------|----------|---------|
| 01 | RELEASE TO PRODUCTION. | 10818 | 12/22/11 | ALB/CDS |



SOLDER
LUG END



CONTACT END
VIEW



9 PIN MALE
CONNECTOR

NOTES:

1. GREEN AND RED WIRES ARE CUT OFF AT BOTH ENDS.
2. INNER BARE WIRE IS CUT OFF INSIDE THE TRANSDUCER.

| UNLESS OTHERWISE SPECIFIED | SIGNATURE | DATE | AIRMAR TECHNOLOGY CORPORATION 35 HEADSBROOK DR MILFORD NH 03055-4613 USA TEL: 603-673-9570 FAX: 603-673-4624 | | | | | | | |
|---|--------------|----------------|---|---|------|-------------|--------|---|--------------|----------------|
| DIMENSIONS ARE IN INCHES TOLERANCES ON 2 PL DECIMALS ±0.02 3 PL DECIMALS ±0.005 ANGLES ± 1/2° FRACTIONS ± 1/32 SURFACE FINISH $\sqrt{63}$ | ORIGINATOR | J. JEFFERS | 09/01/11 | AIRMAR TITLE WIRING, 2DT-DF, 50K IND & 200K DIPLXR-XID, RES-ID C332 9M-A, [B260 SS260] | | | | | | |
| | DRAWN | A. BIATHROM | 09/01/11 | | | | | | | |
| | CHECKED | J. JEFFERS | 09/01/11 | | | | | | | |
| | APPROVED | F. BOERICKE | 09/01/11 | | | | | | | |
| MATERIAL | | | AIRMAR P/N 06-332 CABLE CONNECTOR 05-272-09 | <table border="1"> <tr> <td>SIZE</td> <td>SCALE: NONE</td> <td>NUMBER</td> </tr> <tr> <td>B</td> <td>SHEET 1 OF 1</td> <td>91-1112 REV 01</td> </tr> </table> | SIZE | SCALE: NONE | NUMBER | B | SHEET 1 OF 1 | 91-1112 REV 01 |
| SIZE | SCALE: NONE | NUMBER | | | | | | | | |
| B | SHEET 1 OF 1 | 91-1112 REV 01 | | | | | | | | |